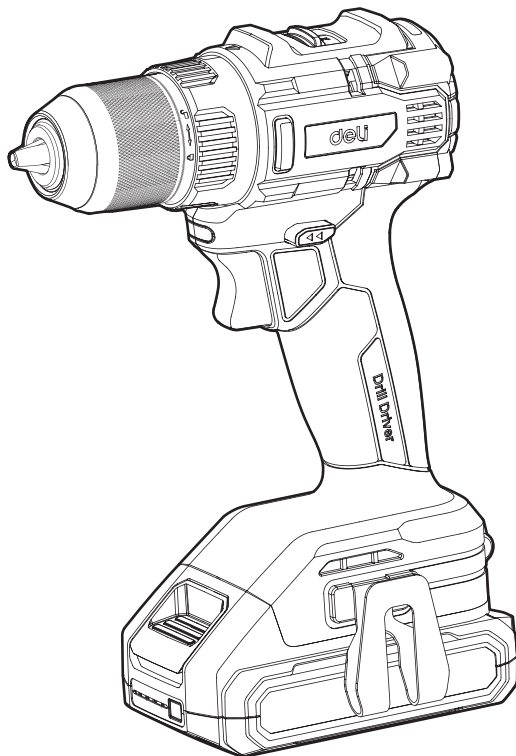


deli

DC120



- EN** Lithium-Ion cordless drill
FR Perceuse sans fil Lithium-Ion
ES Taladro inalámbrico de iones de litio
RU Литий-ионная аккумуляторная дрель
AR ليثيوم أيون الحفر اللاسلكي

Specifications

Model		DCI20 DCI20-X ...
Rated voltage		20V \equiv
Maximum torque		45N.m
No-load speed		0-550/0-1800/min
Maximum drilling capacity		10mm
Maximum chuck capacity	Wood	25mm
	Steel	10mm
Machine weight (bare tool)		0.94kg

X=1-999, there are only used for different customers, there are no safe relevant changes between these models.

















- The manufacturer reserves the right to change the specifications without notice.
- Specifications may differ from country to country.

Warning! Please only use the listed battery packs and chargers. Using other types of battery packs or chargers may cause personal injury and/or fire.

It is recommended to select the accessories from the store where you purchased your power tool. Please select the correct accessories for your job. Please refer to the accessories package for more usage and help.

Battery pack	DL-DC20A2	2.0Ah
	DL-DC20A4	4.0Ah
Charger	DL-CD20A2E	2A Single charge
	DL-CD20D4E	4A Dual charge
	DL-CD20A8E	8A Single charge

Symbols

 Read the instruction manual	 Warning sign	 Do not put it into the fire	 Do not put it into the water
 Please wear protective earmuffs	 Please wear safety glasses	 Please wear masks	 Please wear protective gloves
 Wood	 Metal	 Low speed	 High speed
 Screwdriver	 Drill hole	 Batteries contain lithium ion. To protect the environment, the discarded batteries should be sorted and recycled, and should not be thrown into the trash can.	
 Customs union certificate			

Original Instructions

General power tool safety warnings

WARNING Read all safety warnings, instructions, illustrations and specifications provided with this power tool. Failure to follow all instructions listed below may result in electric shock, fire and/or serious injury.

Save all warnings and instructions for future reference. The term "power tool" in the warnings refers to your mains-operated (corded) power tool or battery-operated (cordless) power tool.

Work area safety

1. **Keep work area clean and well lit.** Cluttered or dark areas invite accidents.
2. **Do not operate power tools in explosive atmospheres, such as in the presence of flammable liquids, gases or dust.** Power tools create sparks which may ignite the dust or fumes.
3. **Keep children and bystanders away while operating a power tool.** Distractions can cause you to lose control.

Electrical safety

1. **Power tool plugs must match the outlet. Never modify the plug in any way. Do not use any adapter plugs with earthed (grounded) power tools.** Unmodified plugs and matching outlets will reduce risk of electric shock.
2. **Avoid body contact with earthed or grounded surfaces, such as pipes, radiators, ranges and refrigerators.** There is an increased risk of electric shock if your body is earthed or grounded.
3. **Do not expose power tools to rain or wet conditions.** Water entering a power tool will increase the risk of electric shock.
4. **Do not abuse the cord. Never use the cord for carrying, pulling or unplugging the power tool. Keep cord away from heat, oil, sharp edges or moving parts.** Damaged or entangled cords increase the risk of electric shock.
5. **When operating a power tool outdoors, use an extension cord suitable for outdoor use.** Use of a cord suitable for outdoor use reduces the risk of electric shock.
6. **If operating a power tool in a damp location is unavoidable, use a residual current device (RCD) protected supply.** Use of an RCD reduces the risk of electric shock.

Personal safety

1. **Stay alert, watch what you are doing**

and use common sense when operating a power tool. Do not use a power tool while you are tired or under the influence of drugs, alcohol or medication. A moment of inattention while operating power tools may result in serious personal injury.

2. **Use personal protective equipment. Always wear eye protection.** Protective equipment such as a dust mask, non-skid safety shoes, hard hat or hearing protection used for appropriate conditions will reduce personal injuries.
3. **Prevent unintentional starting. Ensure the switch is in the off-position before connecting to power source and/or battery pack, picking up or carrying the tool.** Carrying power tools with your finger on the switch or energising power tools that have the switch on invites accidents.
4. **Remove any adjusting key or wrench before turning the power tool on.** A wrench or a key left attached to a rotating part of the power tool may result in personal injury.
5. **Do not overreach. Keep proper footing and balance at all times.** This enables better control of the power tool in unexpected situations.
6. **Dress properly. Do not wear loose clothing or jewellery. Keep your hair and clothing away from moving parts.** Loose clothes, jewellery or long hair can be caught in moving parts.
7. **If devices are provided for the connection of dust extraction and collection facilities, ensure these are connected and properly used.** Use of dust collection can reduce dust-related hazards.
8. **Do not let familiarity gained from frequent use of tools allow you to become complacent and ignore tool safety principles.** A careless action can cause severe injury within a fraction of a second.

Power tool use and care

1. **Do not force the power tool. Use the correct power tool for your application.** The correct power tool will do the job better and safer at the rate for which it was designed.
2. **Do not use the power tool if the switch does not turn it on and off.** Any power tool that cannot be controlled with the switch is dangerous and must be repaired.
3. **Disconnect the plug from the power source and/or remove the battery pack, if detachable, from the power tool before making any adjustments, changing accessories, or storing power tools.** Such preventive

safety measures reduce the risk of starting the power tool accidentally.

- 4. Store idle power tools out of the reach of children and do not allow persons unfamiliar with the power tool or these instructions to operate the power tool.** Power tools are dangerous in the hands of untrained users.
- 5. Maintain power tools and accessories. Check for misalignment or binding of moving parts, breakage of parts and any other condition that may affect the power tool's operation. If damaged, have the power tool repaired before use.** Many accidents are caused by poorly maintained power tools.
- 6. Keep cutting tools sharp and clean.** Properly maintained cutting tools with sharp cutting edges are less likely to bind and are easier to control.
- 7. Use the power tool, accessories and tool bits etc. in accordance with these instructions, taking into account the working conditions and the work to be performed.** Use of the power tool for operations different from those intended could result in a hazardous situation.
- 8. Keep handles and grasping surfaces dry, clean and free from oil and grease.** Slippery handles and grasping surfaces do not allow for safe handling and control of the tool in unexpected situations.

Battery tool use and care

- 1. Recharge only with the charger specified by the manufacturer.** A charger that is suitable for one type of battery pack may create a risk of fire when used with another battery pack.
- 2. Use power tools only with specifically designated battery packs.** Use of any other battery packs may create a risk of injury and fire.
- 3. When battery pack is not in use, keep it away from other metal objects, like paper clips, coins, keys, nails, screws or other small metal objects, that can make a connection from one terminal to another.** Shorting the battery terminals together may cause burns or a fire.
- 4. Under abusive conditions, liquid may be ejected from the battery; avoid contact. If contact accidentally occurs, flush with water. If liquid contacts eyes, additionally seek medical help.** Liquid ejected from the battery may cause irritation or burns.
- 5. Do not use a battery pack or tool that is damaged or modified.** Damaged or modified

batteries may exhibit unpredictable behaviour resulting in fire, explosion or risk of injury.

- 6. Do not expose a battery pack or tool to fire or excessive temperature.** Exposure to fire or temperature above 130 °C may cause explosion.
- 7. Follow all charging instructions and do not charge the battery pack or tool outside the temperature range specified in the instructions.** Charging improperly or at temperatures outside the specified range may damage the battery and increase the risk of fire.

Service

- 1. Have your power tool serviced by a qualified repair person using only identical replacement parts.** This will ensure that the safety of the power tool is maintained.
- 2. Never service damaged battery packs.** Service of battery packs should only be performed by the manufacturer or authorized service providers.

Additional safety instructions for Drill

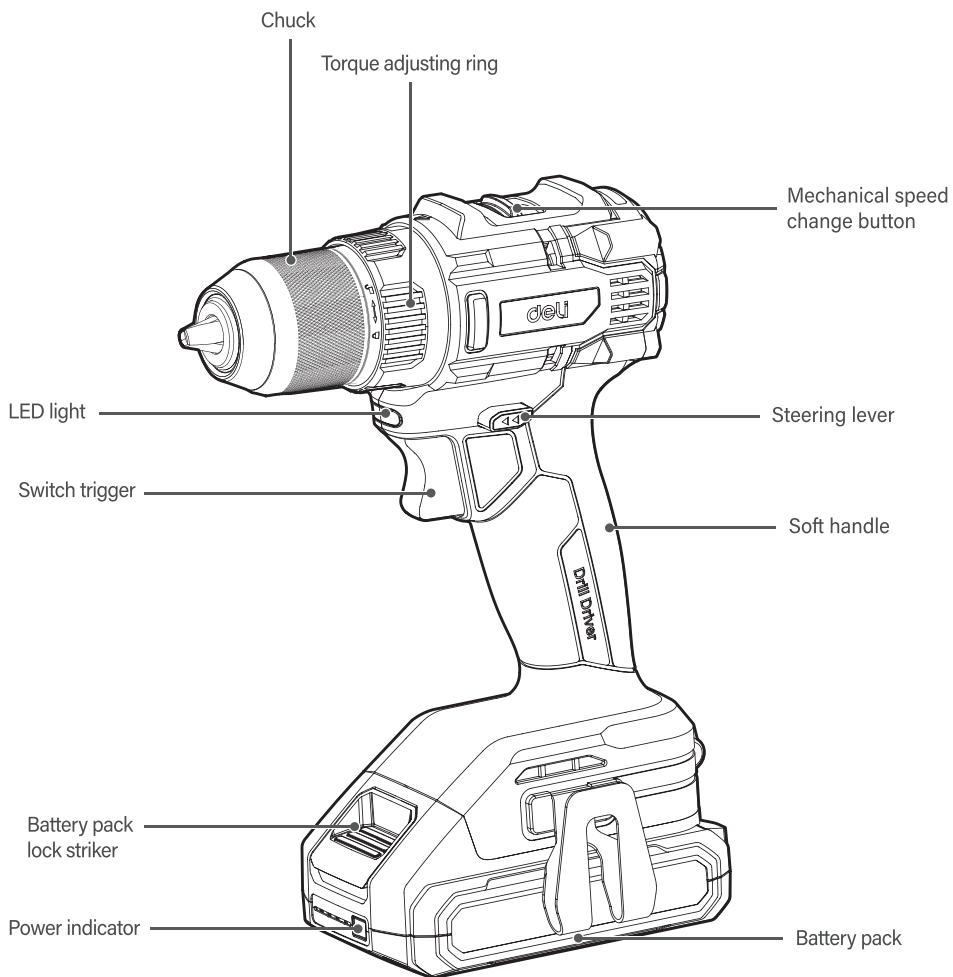
Safety Instructions for all operations

- 1. Wear ear protectors when impact drilling.** Exposure to noise can cause hearing loss.
- 2. Brace the tool properly before use.** This tool produces a high output torque and without properly bracing the tool during operation, loss of control may occur resulting in personal injury.
- 3. Hold the power tool by insulated gripping surfaces, when performing an operation where the cutting accessory may contact hidden wiring .** Cutting accessory contacting a "live" wire may make exposed metal parts of the power tool "live" and could give the operator an electric shock.

Safety instructions when using long drill bits

- 1. Never operate at higher speed than the maximum speed rating of the drill bit.** At higher speeds, the bit is likely to bend if allowed to rotate freely without contacting the workpiece, resulting in personal injury.
- 2. Always start drilling at low speed and with the bit tip in contact with the workpiece.** At higher speeds, the bit is likely to bend if allowed to rotate freely without contacting the workpiece, resulting in personal injury.

3. **Apply pressure only in direct line with the bit and do not apply excessive pressure.** Bits can bend causing breakage or loss of control, resulting in personal injury.



Operation Instructions

Note: Read the Instruction manual before operation.

1 Install/remove battery pack

When installing or removing the battery pack, please ensure that the machine is in a shutdown state; First press the button above the battery pack and then pull it out of the tool when removing the battery pack;

When installing the battery pack, align the reed on the battery pack with the groove on the machine housing, and then slide it into place. Insert it fully into place until the battery pack is locked and clicks. If it is not installed properly, it may cause the battery pack to detach from the tool and cause personal injury.

2 Inserting/removing the drill bit



Warning! Be sure to turn off the power switch and remove the battery pack before replacing accessories; Try to put the drill bit into the innermost part of the chuck and ensure that the drill bit is clamped; Before starting the tool, ensure that there are no safety hazards to the chuck, as damage or looseness of the chuck may cause personal injury.



Please wear protective gloves when removing accessories

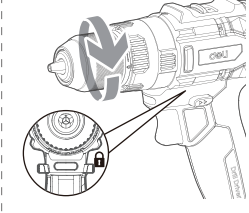
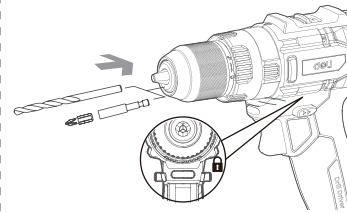
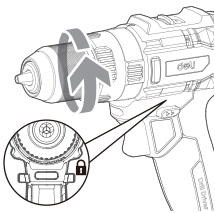


Please wear protective gloves when inserting accessories

1 Loose the chuck

2 Insert the accessories

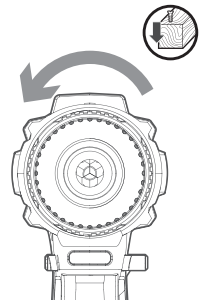
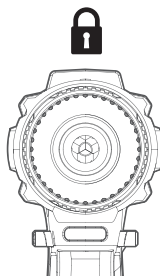
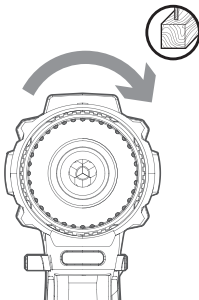
3 Tighten the chuck



3 Forward and reverse switching

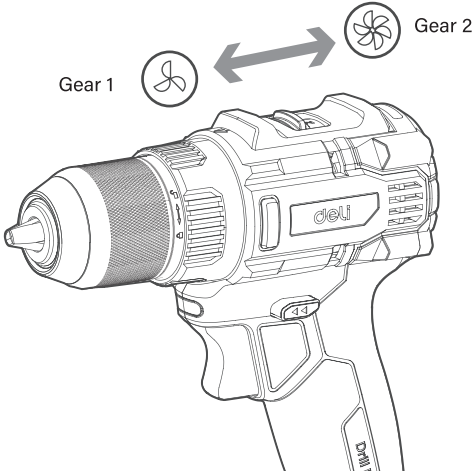


1. Please confirm the rotation direction of the tool before operation;
2. The steering lever can be used only when the switch is fully released and turned. Changing the rotation direction during tool operation can cause damage to it;
3. When tool is not used, always set the steering lever to the neutral position. When the steering lever is in the neutral position, the switch cannot be pressed.

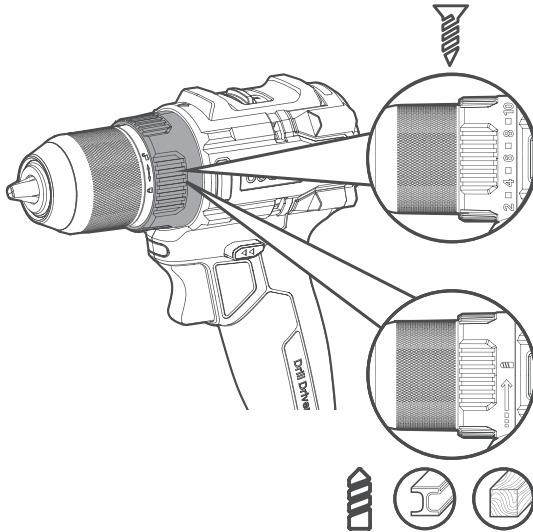


4 Speed shift

Be sure to fully set the mechanical speed change button to the correct position. The power drill may be damaged if it is turned on when the mechanical speed change button is in the middle of gear "1" and "2".



5 Torque adjustment



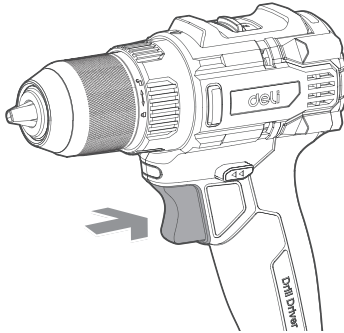
6 On/Off



Warning! Do not use the start/stop switch to operate at low speed for a long time, otherwise the inner of the machine may overheat and cause tool damage.



Please wear protective earmuffs



7 LED indication



Warning! Please ensure that LED light turns on by pressing the switch when the steering lever is at the far left or right position.

This tool is equipped with a tool/battery protection system. This system can automatically cut off the power supply for the motor to extend the tool and battery life. If the tool or battery is in the following conditions during operation, the tool will automatically stop running. The indicator light will light up in some cases.


- **Overload protection:** The tool will automatically stop running when operating the tool/battery in a way that causes abnormally high current. In this case, please turn off the tool and stop the application that caused the tool to overload. Then turn on the tool to restart.
- **Overheat protection:** The tool will automatically stop running when the tool/battery overheats. In this case, please wait for the tool to cool down before restarting the tool.
- **Over discharge protection:** this tool automatically stops running when the remaining battery power decreases. If this product does not operate even when the switch is turned on, please remove the battery from the tool and charge it.
- **Protection for other reasons:** The protection system is also suitable for other situations that may cause damage to the tool, thereby automatically stopping the tool from running. When the tool temporarily or midway stops working, perform all the following steps to eliminate the cause of the abnormality.
 1. Turn off the tool and restart it again.
 2. Charge the battery or replace it with a rechargeable one.
 3. Please wait for the tools and battery to cool down.

Troubleshooting

1. Why is the machine not running when the switch trigger is pressed?

There is a steering lever on the upper part of the switch, and the machine will lock the start/stop switch when this lever is in the middle position. Move the lever to the position where it needs to be turned, then press the button, and the machine will start to rotate.

2. Why does the hand drill stop running before the screws are tightened?

Please adjust the torque adjusting ring between the body and the chuck at this time. Position 1 corresponds to the minimum torque, while position 20 corresponds to the maximum torque. Position  is designed for drilling holes. This problem can be solved after adjusting the torque adjusting ring to a higher gear.

3. Why does the working time of the same battery pack vary?

As above, if a battery pack is left unused for too long, it will shorten its working time. This situation will be improved after several charges and uses. The battery pack's power will also be consumed quickly when doing heavy work, for example, drive the large screw into hardwood. Do not charge the battery pack in environments below 0°C or above 40°C, as this can also affect its performance.

Maintenance



Warning! Before performing any replacement or maintenance work on the machine, be sure to pull out the plug first.

Before performing any replacement or maintenance work on the machine, be sure to pull out the battery first.

Your power tool does not require any additional lubrication or maintenance. Do not clean your power tools by using water or chemical cleaning agents, just wipe them clean with a dry cloth. Tools should be stored in a dry environment and kept clean at the motor vents. Try not to use it in a dusty environment.

Environmental protection



Disposal of waste

In response to environmental protection, damaged machines, accessories and packaging materials must be sorted carefully for easy recycling. In order to facilitate sorting and recycling, all plastic parts are marked with materials.

Product Warranty Card

Dear users :

Thank you for buying our products. In order to ensure your profit, users who buy our products can contact local distributor or Specified repair stations with invoice and warranty cards if the product failures due to quality problems.

Warranty Notice:

1. From _____ (Year/Month/Day) to _____ (Year/Month/Day), If the failure happen in normal use, our company will provide free warranty, parts replacement and other services according to the failure situation.
2. This warranty card and purchase invoice are the voucher of after-sales service provided by our company to customers. The card must be detailed only after filling in the following form and affixing the official seal with the distributor.
3. In one of the following cases, free warranty service will be invalid, and maintenance fees will be required:
 - (1) Exceed the expiration date.
 - (2) Failure or damage caused by not following the requirements of the product manual, maintenance or improper storage.
 - (3) Failure or damage caused by disassembling, repairing or modification of the product without the permission of our company.
 - (4) Machine breakdown or damage caused by force majeure.
 - (5) Consumable accessories.

This card is issued with the product. One card for one machine, to ensure that you can fully enjoy the right to free warranty service provided by the company, please keep this card properly, lost will not be replaced.

Purchase Date: _____ (Year/Month/Day)

Product Certificate

Inspector:

01

Date of manufacture:

NINGBO DELI TOOLS CO., LTD.
No. 128 Chezhan West Road, Huangtan Town,
Ninghai County, Ningbo, Zhejiang, China
delitoolsglobal@nbdeli.com
www.delitoolsglobal.com
+86 574 87562689
MADE IN CHINA



Spécifications

Modèle		DC120 DC120-X ...
Tension nominale		20V ---
Couple maximum		45N.m
Vitesse à vide		0-550/0-1800/min
Capacité maximale du mandrin		10mm
Capacité maximale du mandrin	Bois	25mm
	Acier	10mm
Poids de la machine(outil seul)		0.94kg

x=1-999, uniquement utilisés pour différents clients, aucun changement lié à la sécurité entre ces modèles.

- Le fabricant se réserve le droit de modifier les spécifications sans préavis.
- Les caractéristiques techniques varient d'un pays à l'autre.



Avertissement ! Utilisez uniquement les batteries et chargeurs spécifiés. L'utilisation d'un autre type de batterie ou de chargeur présente un risque d'incendie et/ou de blessures.

Il est recommandé de sélectionner les accessoires dans le magasin où vous avez acheté l'outil électrique. Veuillez sélectionner les accessoires adaptés à votre travail. Veuillez vous référer à l'emballage des accessoires pour en savoir plus sur l'utilisation.

Batterie	DL-DC20A2	2.0Ah
	DL-DC20A4	4.0Ah
Chargeur	DL-CD20A2E	Chargeur simple 2A
	DL-CD20D4E	Chargeur double 4A
	DL-CD20A8E	Chargeur simple 8A

Symboles

Lire les instructions	Symboles d'avertissement	Veuillez porter des gants de protection	Ne mettez pas l'outil dans l'eau
Veuillez porter des cache-oreilles protecteurs	Veuillez porter des lunettes de protection	Vitesse lente	Ne mettez pas l'outil dans des flammes
Veuillez porter un masque	Vitesse rapide	Les batteries contiennent du lithium-ion. Pour protéger l'environnement, les batteries mises au rebut doivent être triées et recyclées, et ne doivent pas être jetées à la poubelle.	
Bois	Trou à percer	Certificat d'union douanière	
Métal	Tournevis		

Instructions originales

Avertissements généraux concernant les outils électriques

AVERTISSEMENT Lire l'ensemble des avertissements, instructions, illustrations et spécifications fourni avec cet outil électrique. Le fait de ne pas suivre toutes les instructions figurant dans la liste ci-dessous peut entraîner un risque de choc électrique, d'incendie et/ou de blessures graves.

Conservez tous les avertissements et instructions à titre d'information.

Le terme « outil électrique » dans les avertissements fait référence à votre outil électrique (avec fil) fonctionnant sur secteur ou à votre outil électrique (sans fil) fonctionnant sur batterie.

Sécurité du lieu de travail

1. **Maintenez le lieu de travail propre et bien éclairé.** Les emplacements encombrés ou sombres favorisent les accidents.
2. **N'utilisez pas d'outils électriques dans un environnement explosif, par exemple en présence de liquides, de gaz ou de poussières inflammables.** Les outils électriques dégagent des étincelles qui peuvent enflammer les vapeurs.
3. **Éloignez les enfants et les personnes alentour lorsque vous utilisez un outil électrique.** Toutes distractions peuvent vous faire perdre le contrôle.

Sécurité électrique

1. **Les prises de l'outil électrique doivent correspondre à la prise murale. N'altérez jamais la prise de quelque manière que ce soit. N'utilisez pas de prises d'adaptateur avec des appareils mis à la terre.** Les prises non altérées et les prises murales correspondantes réduiront les risques de chocs électriques.
2. **Évitez que le corps puissent toucher les surfaces mises à la terre, telles que tuyaux, radiateurs, cuisinières et réfrigérateurs.** Le risque d'électrocution est plus important si votre corps est mis à la terre.
3. **N'exposez pas les outils électriques à la pluie ni à l'humidité.** La pénétration d'eau dans un outil électrique augmente les risques d'électrocution.
4. **N'abusez pas de l'utilisation du fil. N'utilisez jamais le fil pour transporter, tirer ou débrancher l'outil électrique. Conservez le fil à l'écart de la chaleur, de l'huile, des bords coupants ou pièces mobiles.** Un fil endommagé ou emmêlé augmente les risques d'électrocution.

5. **Pour utiliser un outil électrique en extérieur, utilisez une rallonge adaptée à l'usage à l'extérieur.** L'utilisation d'un fil adapté à l'usage extérieur réduit les risques d'électrocution.
6. **Si l'utilisation d'un outil électrique dans un endroit humide est inévitable, utilisez une alimentation protégée par un disjoncteur.** L'utilisation d'un disjoncteur permet de réduire les risques d'électrocution.

Sécurité personnelle

1. **Restez attentif, surveillez votre travail et faites preuve de bon sens lorsque vous utilisez un outil électrique. N'utilisez pas un outil électrique si vous êtes fatigué ou sous l'influence de drogues, d'alcool ou de médicaments.** Un moment d'inattention lors de l'utilisation d'outils électriques peut entraîner des blessures graves.
2. **Portez un équipement de protection individuelle. Portez toujours une protection auditive (oreillettes).** Des équipements de protection tels qu'un masque anti-poussière, des chaussures de sécurité antidérapantes, un casque ou des protections auditives, utilisés dans de bonnes conditions, permettront de réduire les risques de blessures.
3. **Prévenez les démarrages non intentionnels. Assurez-vous que l'interrupteur est éteint (off) avant de brancher l'appareil à la prise d'alimentation et / ou à la batterie, ou de saisir ou de transporter l'outil.** Le fait de transporter des outils électriques en ayant le doigt sur l'interrupteur ou de lancer des outils électriques lorsque l'interrupteur est allumé, peut être source d'accidents.
4. **Retirez toute clé de réglage ou autre clé avant de mettre l'outil électrique en marche.** Une clé laissée sur une pièce rotative de l'outil électrique peut entraîner des blessures.
5. **Ne vous penchez pas excessivement. Conservez à tout moment un bon appui et bon équilibre.** Vous pouvez ainsi mieux contrôler l'outil électrique en cas de situations imprévues.
6. **Habilitez-vous judicieusement. Ne portez pas de vêtements amples ni de bijoux. Tenez les cheveux et les vêtements à l'écart des pièces en mouvement.** Les vêtements amples, les bijoux ou les cheveux longs peuvent se coincer dans les pièces en mouvement.
7. **Sides appareils permettent de se raccorder à des équipements de collecte et d'extraction de la poussière ; assurez-vous qu'ils soient raccordés et correctement utilisés.** L'utilisation d'un système de collecte de la poussière peut réduire les risques liés à la poussière.

8. **Même si vous avez pris l'habitude d'utiliser des outils, vous ne devez pas être moins vigilant et ignorer les principes de sécurité des outils.** Un geste imprudent peut provoquer une blessure grave en une fraction de seconde.

Utilisation et entretien de l'outil électrique

1. **Ne forcez pas sur l'outil électrique. Utilisez l'outil électrique convenant à l'usage.** Le bon outil électrique fonctionnera mieux et plus sûrement s'il est utilisé à la vitesse pour laquelle il a été conçu.
2. **N'utilisez pas l'outil électrique si l'interrupteur ne l'allume ou ne l'éteint pas.** Tout outil électrique ne pouvant être contrôlé avec l'interrupteur est un outil dangereux, et doit être réparé.
3. **Débranchez la prise et/ou retirez le compartiment à piles, s'il est détachable, de l'outil électrique avant tout réglage, changement d'accessoires ou avant de ranger des outils électriques.** Ce type de mesures de protection permet de réduire les risques d'allumage accidentel de l'outil électrique.
4. **Rangez les outils électriques au repos hors de portée des enfants, et ne laissez personne ne connaissant pas l'outil électrique ou ces instructions utiliser l'outil électrique.** Les outils électriques sont dangereux entre les mains de personnes qui n'y sont pas formées.
5. **Entretenez les et accessoires des outils électriques. Vérifiez l'alignement ou l'adhésion des pièces en mouvement, toute casse de pièces et toute autre condition susceptible d'affecter le bon fonctionnement de l'outil électrique. S'il est endommagé, faites réparer l'outil électrique avant de l'utiliser.** De nombreux accidents sont causés par des outils électriques mal entretenus.
6. **Faites en sorte que les outils de coupe restent affûtés et propres.** Des outils de coupe bien entretenus aux bords affûtés adhèrent moins et sont plus faciles à contrôler.
7. **Utilisez l'outil électrique, les accessoires, embouts et forets, conformément à ces instructions, en tenant compte des conditions de travail et du travail à entreprendre.** L'utilisation de l'outil électrique dans un but différent de celui prévu peut entraîner des situations dangereuses.
8. **Faites en sorte que les surfaces de préhension et poignées restent sèches, propres et exemptes d'huile et de graisse.** Les poignées et les surfaces de préhension glissantes ne permettent pas de manipuler et de contrôler l'outil en toute sécurité dans des situations inattendues.

Utilisation et entretien de l'outil fonctionnant sur batterie

1. **Rechargez uniquement avec le chargeur spécifié par le fabricant.** Un chargeur qui est adapté pour un type de batterie risque de provoquer un début d'incendie s'il est utilisé avec un autre type de batterie.
2. **Utilisez uniquement les outils électriques spécifiquement recommandés pour la batterie.** L'utilisation d'un autre type de batterie présente un risque d'incendie ou de blessures.
3. **Lorsque que la batterie n'est pas utilisée, rangez-la à l'écart d'autres objets métalliques, tels des trombones, des pièces de monnaie, de clés, des clous, des vis ou d'autres petits objets métalliques qui peuvent établir une connexion entre les bornes.** Il y a un risque d'incendie ou de brûlures si les bornes de la batterie sont court-circuitées.
4. **En cas de mauvaise manipulation, du liquide peut s'échapper de la batterie ; évitez tout contact. En cas de contact accidentel, rincez abondamment à l'eau.** Si le liquide entre en contact avec les yeux, consultez un médecin. Le liquide de la batterie est dangereux et provoque des irritations ou des brûlures.
5. **N'utilisez pas une batterie ou un outil s'ils ont été endommagés ou modifiés.** Une batterie endommagée ou modifiée peut avoir un fonctionnement imprévu avec un risque d'incendie, d'explosion ou de blessure.
6. **N'exposez pas la batterie ou l'outil à des températures excessives ou à des flammes.** L'exposition aux flammes ou à des températures supérieures à 130 °C présente un risque d'explosion.
7. **Suivez toutes les consignes pour la recharge et ne rechargez pas la batterie ou l'outil à des températures en dehors de la plage spécifiée dans les consignes.** Une mauvaise recharge ou une charge à des températures en dehors de la plage spécifiée peut endommager la batterie et augmenter le risque d'incendie.

Révision

1. **Faites réviser votre outil électrique par un technicien qualifié utilisant seulement des pièces de rechange identiques.** Cela permettra de préserver la sécurité de l'outil électrique.
2. **Une batterie endommagée ne doit jamais être réparée.** L'entretien de la batterie doit être confié au fabricant ou aux réparateurs agréés.

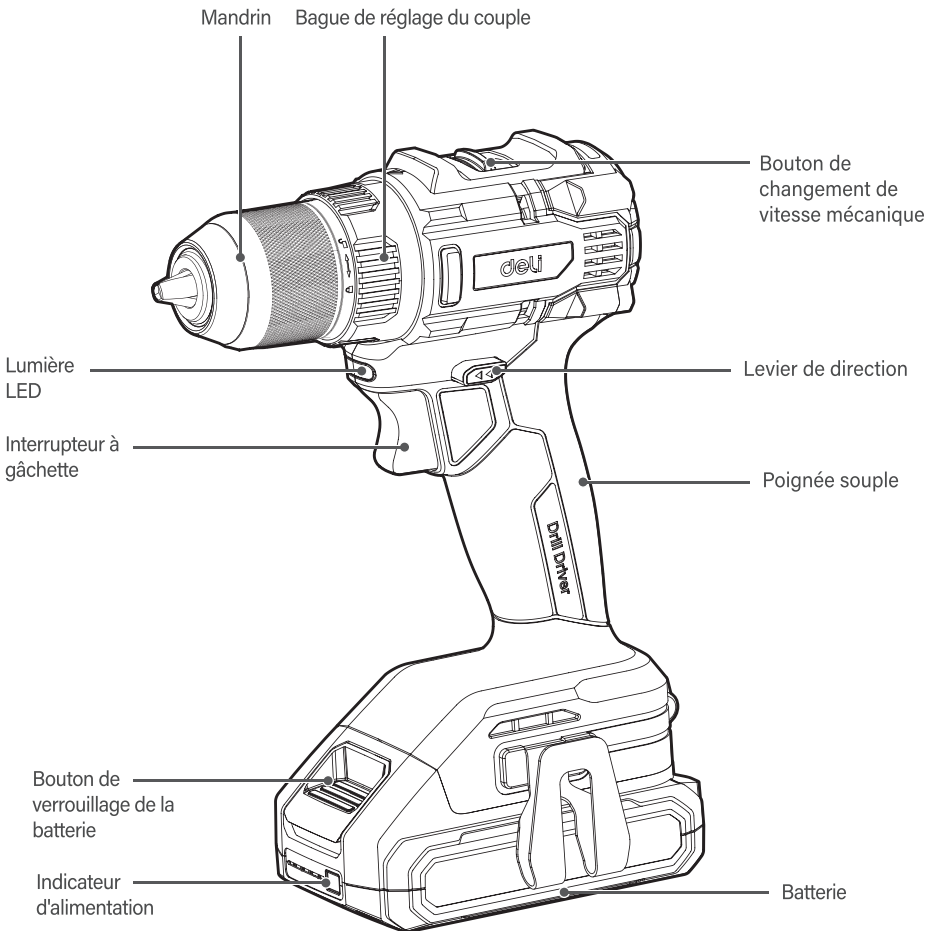
Consignes de sécurité supplémentaires pour la perceuse

Consignes de sécurité pour l'ensemble des opérations

1. **Portez une protection auditive.**
L'exposition aux bruits peut entraîner une perte d'audition.
2. **Préparez correctement l'outil avant l'utilisation.** Cet outil génère un couple de sortie élevé et, sans préparation adéquate de l'outil pendant son fonctionnement, une perte de contrôle peut survenir et entraîner des blessures.
3. **Tenez l'outil électrique par les surfaces de préhension isolées lorsque vous effectuez un travail au cours duquel l'outil l'accessoire de coupe peut entrer en contact avec un câblage dissimulé.** Le contact de l'accessoire de coupe avec un fil sous tension peut électrifier les parties métalliques exposées de l'outil électrique et l'opérateur risque de s'électrocuter.

Consignes de sécurité pour l'utilisation de forets longs

1. **Ne jamais faire fonctionner à une vitesse supérieure à la vitesse nominale maximale du foret.** À des vitesses plus élevées, le foret risque de se déformer s'il tourne librement sans toucher la pièce, entraînant alors des blessures.
2. **Commencez toujours à percer à basse vitesse avec le bout du foret en contact avec la pièce.** À des vitesses plus élevées, le foret risque de se déformer s'il tourne librement sans toucher la pièce, entraînant alors des blessures.
2. **Appuyez uniquement en vous alignant sur le foret et n'exercez pas de pression excessive.** Les forets peuvent se déformer et provoquer une rupture ou une perte de contrôle, entraînant alors des blessures.



Consignes de fonctionnement

Remarque : Lisez le mode d'emploi avant d'utiliser.

1 Installer ou retirer la batterie

Lorsque vous installez ou retirez la batterie, veuillez vous assurer que la machine n'est pas sous tension ; Appuyez d'abord sur le bouton au-dessus de la batterie, puis sortez-le de l'outil lorsque vous retirez la batterie ;

Lorsque vous installez la batterie, alignez la tige sur la batterie avec la rainure sur le boîtier de la machine, puis faites-la glisser en place. Insérez-la complètement en place jusqu'à ce que la batterie se verrouille et s'enclenche. Si elle n'est pas installée correctement, la batterie peut se détacher de l'outil et provoquer des blessures corporelles.

2 Insertion/retrait du foret



Avertissement ! N'oubliez pas d'éteindre l'interrupteur d'alimentation et de retirer la batterie avant de remplacer les accessoires ; essayez de placer la mèche au fond du mandrin et assurez-vous que la mèche est vissée ; avant de démarrer l'outil, assurez-vous que le mandrin ne présente aucun risque de sécurité, car un mandrin endommagé ou desserré peut causer des blessures.



Portez des gants de protection lorsque vous retirez les accessoires

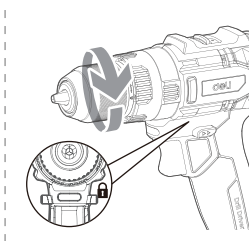
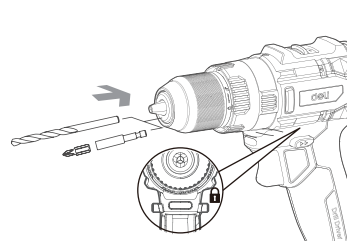
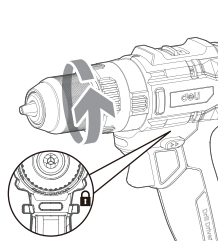


Portez des gants de protection lorsque vous insérez les accessoires

1 Desserrer le mandrin

2 Insérer les accessoires

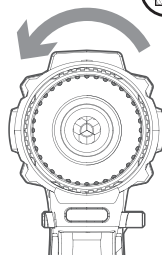
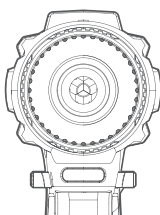
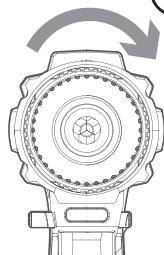
3 Serrer le mandrin



3 Réglage de rotation horaire et antihoraire

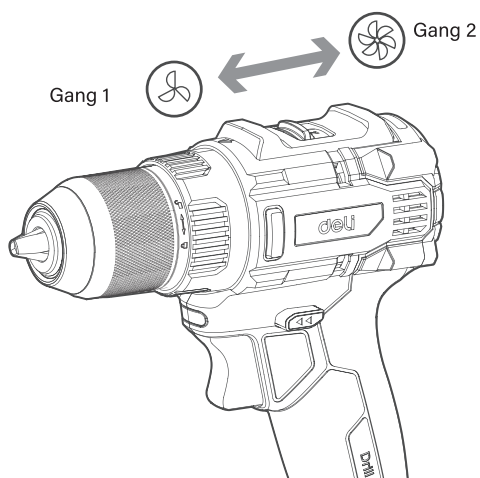


Avertissement ! 1. Vérifiez toujours le sens de rotation de l'outil avant de l'utiliser ; 2. Le levier de direction peut être utilisé uniquement lorsque l'interrupteur est complètement relâché et tourné. Toute modification du sens de rotation pendant l'utilisation de l'outil peut l'endommager ; 3. Lorsque l'outil n'est pas utilisé, réglez toujours le levier de direction sur la position neutre. Lorsque le levier de direction est en position neutre, l'interrupteur ne peut pas être actionné.

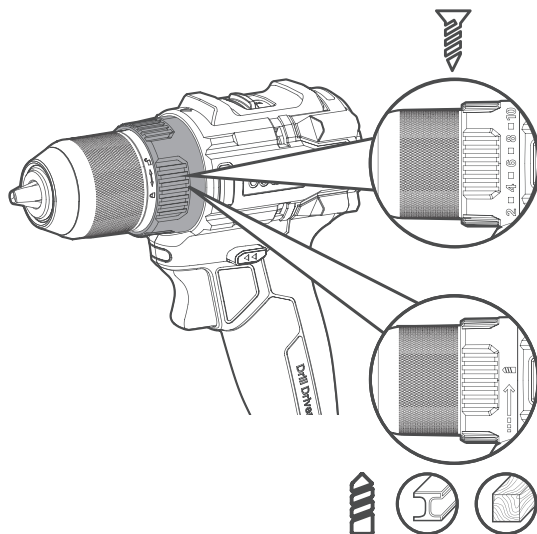


4 Changement de vitesse

Assurez-vous de régler correctement le bouton de changement de vitesse mécanique sur la bonne position. La perceuse électrique peut être endommagée si elle est démarrée lorsque le bouton de changement de vitesse mécanique se trouve entre les vitesses « 1 » et « 2 ».



5 Réglage du couple



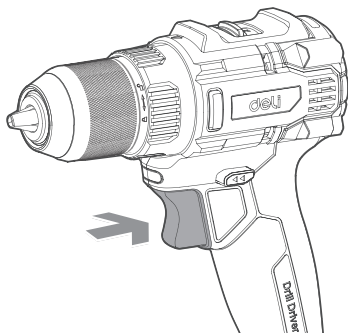
6 Mise en marche/arrêt



Avvertimento ! N'utilisez pas l'interrupteur marche/arrêt pour fonctionner à basse vitesse pendant une longue période, sinon l'intérieur de la machine pourrait surchauffer et l'outil risque d'être endommagé.



Veuillez porter des cache-oreilles protecteurs



7 Indicateur à LED



Avvertimento ! Veuillez vous assurer que le voyant LED s'allume en appuyant sur l'interrupteur lorsque le levier de direction est positionné à gauche ou à droite.

Cette machine est équipée d'un circuit de protection d'outil et de batterie. Ce système peut couper automatiquement l'alimentation du moteur pour prolonger la durée de vie de l'outil et de la batterie. Si l'outil ou la batterie est dans les conditions suivantes pendant le fonctionnement, l'outil s'arrêtera automatiquement de fonctionner. Le voyant lumineux s'allumera dans certains cas.

- Protection contre les surcharges : L'outil cessera automatiquement de fonctionner lorsque l'outil/la batterie est utilisé d'une manière qui provoque un courant anormalement élevé. Dans ce cas, arrêtez l'outil et cessez le travail qui a provoqué la surcharge de l'outil. Remettez ensuite l'outil sous tension pour redémarrer.
- Protection contre les surchauffes : L'outil cessera automatiquement de fonctionner lorsque l'outil/la batterie est en surchauffe. Dans ce cas, veuillez attendre que l'outil refroidisse avant de le redémarrer.
- Protection contre les décharges excessives : cet outil s'arrête automatiquement lorsque la puissance restante de la batterie diminue. Si ce produit ne fonctionne pas lorsque l'interrupteur est activé, retirez la batterie de l'outil et rechargez-la.
- Autres protections : Le système de protection est également adapté à d'autres situations qui peuvent endommager l'outil, empêchant ainsi automatiquement l'outil de fonctionner. Lorsque l'outil cesse temporairement ou à mi-chemin de fonctionner, suivez toutes les étapes suivantes pour résoudre l'anomalie.


1. Arrêtez l'outil et redémarrez-le.
2. Chargez la batterie ou remplacez-la par une batterie rechargeable.
3. Veuillez attendre que l'outil et la batterie refroidissent.

Dépannage

1. Pourquoi la machine ne fonctionne-t-elle pas lorsque la gâchette est enfoncée ?

Il y a un levier de direction sur la partie supérieure de l'interrupteur, et la machine verrouille l'interrupteur marche/arrêt lorsque ce levier est en position médiane. Déplacez le levier à la position où il doit être tourné, puis appuyez sur le bouton et la machine démarrera.

2. Pourquoi la perceuse portable s'arrête-t-elle de fonctionner avant que les vis ne soient serrées ?

Réglez la bague de réglage du couple entre le boîtier et le mandrin. La position 1 correspond au couple minimal, tandis que la position 20 correspond au couple maximal. La position  est conçue pour percer des trous. Ce problème peut être résolu après avoir réglé la bague de réglage du couple sur une vitesse supérieure.

3. Pourquoi l'autonomie d'une même batterie varie-t-elle ?

Si une batterie reste inutilisée trop longtemps, son autonomie sera réduite. Cette situation s'améliorera après plusieurs charges et utilisations. La batterie sera également rapidement déchargée lors de travaux intensifs, comme par exemple, pour enfoncer de grandes vis dans du bois dur. Ne rechargez pas la batterie dans un environnement dont la température est inférieure à 0°C ou supérieure à 40°C, car cela affectera ses performances.

Entretien



Avertissement ! Avant d'effectuer toute opération de remplacement ou d'entretien sur l'outil, assurez-vous d'abord de débrancher la fiche.

Avant d'effectuer toute opération de remplacement ou d'entretien sur l'outil, assurez-vous d'abord de retirer la batterie.

Votre outil électrique ne nécessite aucune lubrification ou maintenance supplémentaire. Ne nettoyez pas votre outil électrique avec de l'eau ou des produits de nettoyage chimiques, essuyez-le simplement avec un chiffon sec. L'outil doit être stocké dans un environnement sec et les événements du moteur doivent rester propres. Essayez de ne pas l'utiliser dans un environnement poussiéreux.

Protection de l'environnement



Élimination des déchets

Pour contribuer à la protection de l'environnement, les outils et les accessoires endommagés ainsi que les matériaux d'emballage doivent être triés avec soin pour faciliter leur recyclage. Afin de faciliter le tri et le recyclage, toutes les pièces en plastique sont marquées.

Carte de garantie du produit

Chers utilisateurs:

Merci d'avoir acheté nos produits. Afin de garantir leur achat, les utilisateurs de nos produits peuvent contacter un distributeur local ou des centres de réparation spécifiés, munis de la facture et de la carte de garantie en cas de défaillance du produit due à de problèmes de qualité.

Notice de garantie:

1. Valide du _____ (jour, mois, année) au _____ (jour, mois, année) Si la panne survient dans le cadre d'une utilisation normale, notre société fournira une garantie gratuite, un remplacement de pièces et d'autres services en fonction de la panne.
2. Cette carte de garantie et la facture d'achat servent de bon de réparation pour le service après-vente fourni par notre société aux clients. La carte ne doit être renseignée qu'en remplissant le formulaire suivant et en apposant le sceau officiel du distributeur.
3. Dans l'un des cas suivants, le service de garantie gratuit sera annulé et des frais d'intervention seront demandés:
 - (1) Dépassement de la date d'expiration.
 - (2) Défaillance ou dommage causé par le non-respect des exigences du manuel du produit, un entretien ou un stockage inapproprié.
 - (3) Défaillance ou dommage causé par le démontage, la réparation ou la modification du produit sans l'autorisation de notre société.
 - (4) Panne de la machine ou dommage causé par un cas de force majeure.
 - (5) Accessoires consommables.

Cette carte est livrée avec le produit. Une carte pour une machine, pour vous assurer que vous pouvez profiter pleinement du droit au service de garantie gratuit fourni par l'entreprise. Veuillez conserver cette carte correctement. En cas de perte, elle ne sera pas remplacée.

Date d'achat : _____ (jour, mois, année)

Certificat de produit

Inspecteur:

01

Date de fabrication:

NINGBO DELI TOOLS CO., LTD.
No. 128 Chezhan West Road, Huangtan Town,
Ninghai County, Ningbo, Zhejiang, China
delitoolsglobal@nbdeli.com
www.delitoolsglobal.com
+86 574 87562689
MADE IN CHINA



Especificaciones

Modelo	DC120 DC120-X ...	
Tensión nominal	20V $\overline{\text{---}}$	
Máximo par de torsión	45N.m	
Velocidad sin carga	0-550/0-1800/min	
Máxima capacidad del portabrocas	10mm	
Máxima capacidad del portabrocas	Madera	25mm
	Acero	10mm
Peso de la máquina(herramienta desnuda)	0.94kg	

x=1-999, solo se utilizan para diferentes clientes, no hay cambios relevantes de seguridad entre estos modelos.

- El fabricante se reserva el derecho de realizar cualquier cambio en las especificaciones sin previo aviso.
- Las especificaciones pueden variar de un país a otro.

⚠ ¡Advertencia! Utilice únicamente las baterías y cargadores indicados. El uso de otros tipos de baterías o cargadores puede provocar lesiones personales y/o incendio.

Se recomienda seleccionar los accesorios de la tienda en la que se compró la herramienta eléctrica. Seleccione los accesorios correctos para su trabajo. Consulte el paquete de accesorios para obtener más uso y ayuda.

Batería	DL-DC20A2	2.0Ah
	DL-DC20A4	4.0Ah
Cargador	DL-CD20A2E	Cargador individual de 2A
	DL-CD20D4E	Cargador doble de 4A
	DL-CD20A8E	Cargador individual de 8A

Símbolos

 Lea las instrucciones	 Símbolos de advertencia	 Lleve guantes protectores	 No la ponga en agua
 Lleve orejeras protectoras	 Lleve gafas protectoras	 Velocidad nominal	 No la ponga en fuego
 Lleve máscaras protectoras	 Alta velocidad	 Las baterías contienen iones de litio. Para proteger el medio ambiente, las baterías desechadas deben ser clasificadas y recicladas, y no deben ser desechadas a la basura.	
 Madera	 Orificio de taladro	 Certificado de unión aduanera	
 Metal	 Destornillador		

Instrucciones originales

ADVERTENCIAS GENERALES DE SEGURIDAD PARA HERRAMIENTAS ELÉCTRICAS

ADVERTENCIA Lea con atención todas las advertencias de seguridad, instrucciones, ilustraciones y especificaciones proporcionadas con esta herramienta eléctrica. No seguir las instrucciones indicadas a continuación puede tener como resultado una descarga eléctrica, un incendio y/o lesiones graves. **Guarde todas las advertencias e instrucciones para referencia futura.**

El uso del término «herramienta eléctrica» en las advertencias de seguridad se refiere a herramientas eléctricas conectadas a la red (con cable) o a batería (sin cable).

Seguridad del área de trabajo

1. **Mantenga el área de trabajo limpia y bien iluminada.** Las áreas abarrotadas y oscuras propician accidentes.
2. **No utilice la herramienta eléctrica en un entorno con peligro de explosión, en el que se encuentren combustibles líquidos, gases o material en polvo.** Las herramientas eléctricas generan chispas que pueden encender el polvo y los vapores inflamables.
3. **Mantenga a los niños y transeúntes alejado del área cuando utilice la herramienta eléctrica.** Las distracciones pueden hacerle perder el control de la máquina.

Seguridad eléctrica

1. **El enchufe de la herramienta eléctrica debe ser compatible con la toma de corriente. No modifique nunca la clavija de enchufe de ninguna forma. No utilice ningún enchufe adaptador con herramientas eléctricas conectadas a masa (conectadas a tierra).** Los enchufes no modificados y que se adaptan a las tomas de corriente reducirán el riesgo de descarga eléctrica.
2. **Evite el contacto del cuerpo con superficies conectadas a masa o tierra, por ejemplo, tuberías, radiadores, estufas y refrigeradores.** Si su cuerpo está puesto a masa o tierra existe un mayor riesgo de que se produzca una descarga eléctrica.
3. **No exponga la herramienta eléctrica a condiciones húmedas o a lluvia.** El riesgo de recibir descargas eléctricas aumenta si penetra agua en la herramienta eléctrica.
4. **No haga mal uso del cable. Nunca use el cable para transportar, tirar o desenchufar la herramienta eléctrica. Mantenga el cable alejado del calor, de**

aceite y de piezas móviles o con bordes afilados. Los cables dañados o enredados pueden aumentar el riesgo de descarga eléctrica.

5. **Cuando utilice la herramienta eléctrica en el exterior, use un cable alargador adecuado para uso en exterior.** El uso de un cable adecuado para uso en exterior reduce el riesgo de descarga eléctrica.
6. **Si no es posible evitar usar una herramienta eléctrica en condiciones húmedas, utilice una fuente de alimentación protegida por un interruptor diferencial (ID).** El uso de un ID reduce el riesgo de descarga eléctrica.

Seguridad personal

1. **Al utilizar una herramienta eléctrica, esté atento, concéntrese en lo que hace y use el sentido común. No utilice la herramienta eléctrica si está cansado o bajo los efectos del alcohol, las drogas o los medicamentos.** Un momento de distracción mientras se utiliza la herramienta eléctrica puede tener como resultado lesiones personales graves.
2. **Use el equipo de protección individual. Lleve siempre protección ocular.** El uso de un equipo de protección adecuado como una mascarilla antipolvo, zapatos de seguridad con suela antideslizante, casco o protectores auditivos para las condiciones que lo requieran reducirá las lesiones personales.
3. **Evite un arranque involuntario. Asegurarse de que el interruptor está en posición de apagado antes de conectar la herramienta a la toma de corriente y/o al insertar el paquete de batería, al recogerla, y al transportarla.** Transportar la herramienta eléctrica con el dedo apoyado sobre el interruptor o enchufar la herramienta eléctrica con el interruptor en la posición de encendido puede propiciar accidentes.
4. **Retire cualquier llave de ajuste o herramienta antes de encender la herramienta eléctrica.** Una herramienta o llave colocada en una pieza giratoria de la herramienta eléctrica puede provocar lesiones personales.
5. **No se estire demasiado. Apoye bien los pies y mantenga el equilibrio en todo momento.** Esto mejorará el control de la herramienta eléctrica en situaciones imprevistas.
6. **Lleve la ropa adecuada. No lleve ropa holgada ni joyas. Mantenga el pelo y la ropa alejada de las piezas móviles.** La ropa holgada, las joyas, o el pelo largo pueden engancharse en las partes en movimiento.

7. **Si los dispositivos están provistos de conexión para aspiración de polvo y dispositivos de recolección, asegúrese de que están conectadas y se utilizan correctamente.** El uso de un colector de polvo puede reducir los peligros relacionados con el polvo.
8. **No deje que la familiaridad obtenida por el uso frecuente de la herramienta se vuelva algo habitual o haga que ignore los principios de seguridad de la herramienta.** Una acción descuidada puede provocar lesiones graves en una fracción de segundos.
7. **Utilice la herramienta eléctrica, los accesorios y las brocas de herramienta, etc. de acuerdo con estas instrucciones, teniendo en cuenta las condiciones de trabajo y el trabajo que se vaya a realizar.** La utilización de la herramienta eléctrica para trabajos para los que no ha sido concebida puede dar lugar a situaciones de peligro.
8. **Mantenga las asas y las superficies de agarre secas, limpias y libres de aceite y grasa.** Las asas y superficies de agarre resbaladizas impiden manejar y controlar la herramienta eléctrica con seguridad en situaciones imprevistas.

Uso y cuidado de la herramienta eléctrica

1. **No fuerce la herramienta eléctrica. Utilice la herramienta eléctrica prevista para el trabajo a realizar.** El trabajo se hace mejor y más seguro usando la herramienta eléctrica correcta con la velocidad para la que ha sido diseñada.
2. **No utilice la herramienta eléctrica si el interruptor no puede encenderla o apagarla.** Una herramienta que no pueda controlarse con el interruptor es peligrosa y debe repararse.
3. **Desconecte el enchufe de la toma de corriente y/o retire el paquete de baterías, si es desmontable, de la herramienta eléctrica antes de realizar cualquier ajuste, cambiar los accesorios o almacenar la herramienta.** Tales medidas preventivas de seguridad reducen el riesgo de arrancar la herramienta eléctrica accidentalmente.
4. **Almacene las herramientas que no utiliza fuera del alcance de los niños y no permita que las personas no familiarizadas con la herramienta eléctrica o estas instrucciones utilicen la herramienta eléctrica.** Las herramientas son peligrosas en manos de personas inexpertas.
5. **Mantenga la herramienta eléctrica y los accesorios. Compruebe si las partes móviles están alineadas o fijas, si no hay piezas rotas o cualquier otro problema que pueda afectar el rendimiento de la herramienta eléctrica. Si hay daños, repare la herramienta eléctrica antes de utilizarla.** Se ocasionan muchos accidentes por el mal mantenimiento de las herramientas eléctricas.
6. **Mantenga las herramientas de corte afiladas y limpias.** Las herramientas de corte con mantenimiento adecuado y con los bordes de corte afilados son menos propensas a trabarse y son más fáciles de controlar.

Uso y cuidado de la herramienta a batería

1. **Cargue solamente con el cargador especificado por el fabricante.** Un cargador adecuado para un tipo de batería puede crear un riesgo de incendio al utilizarlo con otras baterías.
2. **Utilice la herramientas eléctricas solamente con las baterías específicamente diseñadas para ellas.** El uso de cualquier otra batería puede crear un riesgo de incendio o lesión.
3. **Cuando la batería no esté en uso, manténgala alejada de los objetos metálico, como clips de papel, monedas, llaves, clavos, tornillos u otros objetos metálicos pequeños que puedan realizar una conexión de un terminal a otro.** El cortocircuito en los terminales de la batería puede provocar quemaduras o incendios.
4. **En condiciones abusivas, el líquido puede ser expulsado de la batería.** Evite su contacto. En caso de contacto accidental, enjuague con agua. Si el líquido entra en contacto los ojos, solicite ayuda médica. El líquido expulsado de la batería puede causar irritaciones y quemaduras.
5. **No utilice baterías o herramientas que están dañadas o modificadas.** Las baterías dañadas o modificadas pueden tener un comportamiento imprevisible y provocar incendios, explosiones o riesgo de lesiones.
6. **No exponga la batería o la herramienta al fuego o temperatura excesiva.** La exposición al fuego o temperatura superior a 130 °C puede causar una explosión.
7. **Siga todas las instrucciones de carga y no cargue la batería o la herramienta fuera del intervalo de temperatura especificado en las instrucciones.** Una carga incorrecta o fuera del intervalo de temperatura especificado puede dañar la batería o aumentar el riesgo de incendio.

Mantenimiento

- 1. El mantenimiento debe ser realizado por el personal de reparación cualificado utilizando solo repuestos idénticos.** Esto garantizará que se mantenga la seguridad de la herramienta eléctrica.
- 2. Nunca realice trabajos de mantenimiento de baterías dañadas.** Cualquier mantenimiento de la baterías debe ser realizado por el fabricante o centros de servicio autorizados.

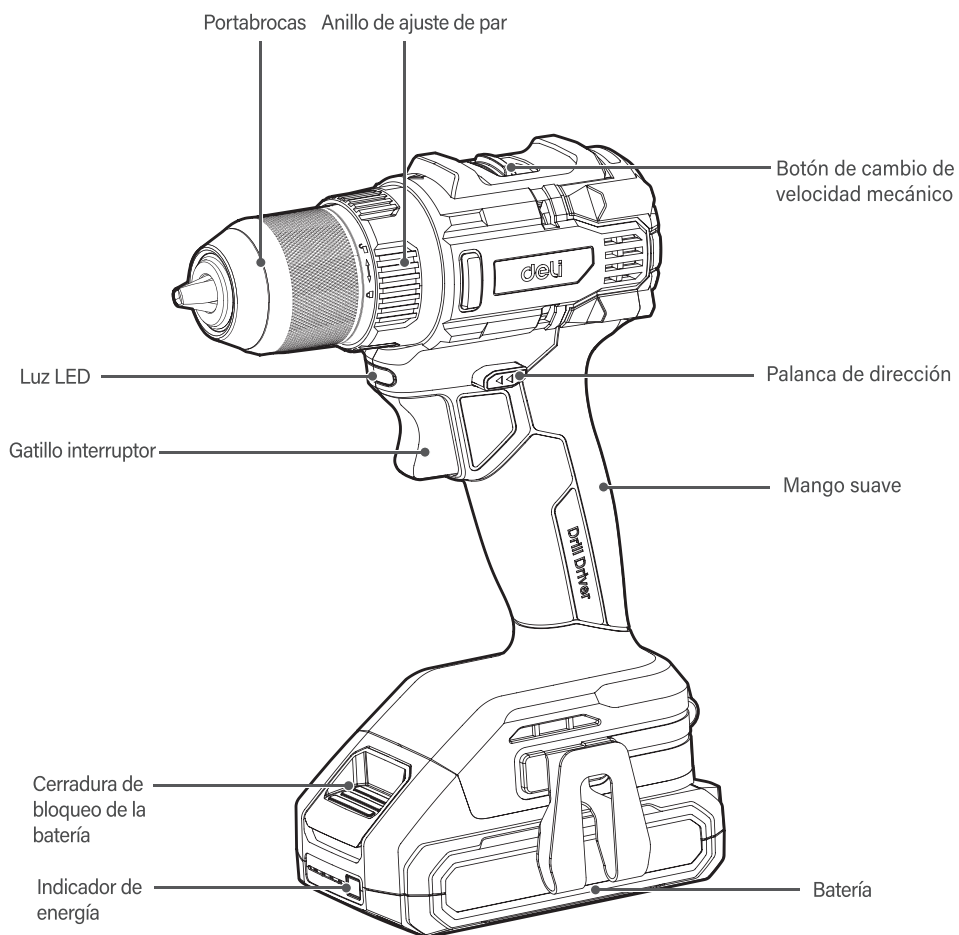
Instrucciones de seguridad adicionales para el taladro

Instrucciones de seguridad para todas las operaciones

- 1. Use protección auditiva.** La exposición al ruido puede causar pérdida de audición.
- 2. Agarre bien la herramienta antes de utilizarla.** Esta herramienta produce un alto par de salida y, sin agarrar adecuadamente la herramienta durante el funcionamiento, se puede perder el control y provocar lesiones personales.
- 3. Sujete la herramienta eléctrica por las superficies de agarre con aislamiento cuando realice una operación en la que el accesorio de corte pueda entrar en contacto con cableado oculto.** El contacto de los accesorios de corte con un cable «activo» puede poner las partes metálicas de la herramienta eléctrica «bajo tensión» y provocar una descarga eléctrica al operador.

Instrucciones de seguridad para el uso de brocas largas

- 1. No opere nunca a una velocidad más alta de la velocidad máxima de la broca.** A velocidades más altas, es probable que la broca se doble si se deja girar libremente sin entrar en contacto con la pieza de trabajo, provocando lesiones personales.
- 2. Comience siempre a perforar a baja velocidad y con la punta de la broca en contacto con la pieza de trabajo.** A velocidades más altas, es probable que la broca se doble si se deja girar libremente sin entrar en contacto con la pieza de trabajo, provocando lesiones personales.
- 2. Ejercer presión solo en línea directa con la broca, sin ejercer una presión excesiva.** Las brocas pueden doblarse y provocar una rotura o la pérdida de control, lo que podría causar lesiones personales.



Instrucciones de funcionamiento

Nota: Lea el manual de instrucciones antes del uso.

1 Insertar/retirar la batería

Cuando instale o retire la batería, asegúrese de que la máquina está apagada. Pulse primero el botón sobre el paquete de baterías, luego extráigalo de la herramienta; Cuando instale la batería, alinee la lengüeta de la batería con el surco de la carcasa de la máquina y luego insértela. Insértela completamente en su lugar hasta que la batería esté bloqueada y haga clic. Si no se instala correctamente, la batería puede desprenderse de la herramienta y provocar lesiones personales.

2 Insertar/retirar la broca

! ¡Advertencia! Asegúrese de apagar el interruptor de encendido y de retirar el paquete de baterías antes de sustituir los accesorios; Intente colocar la broca en la parte más profunda del portabrocas y asegúrese de que la broca quede fija. Antes de arrancar la herramienta, asegúrese de que no haya peligros de seguridad para el portabrocas, ya que el daño o la soltura del portabrocas pueden provocar lesiones personales.



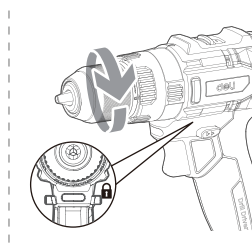
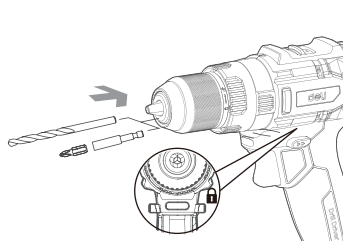
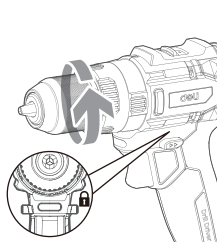
Lleve guantes protectores cuando retire los accesorios



Lleve guantes protectores cuando inserte los accesorios

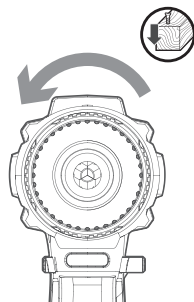
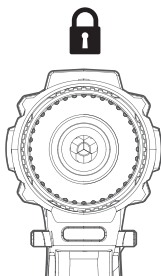
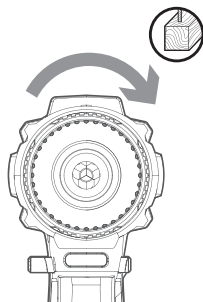
1 Afloje el portabrocas 2 Inserte los accesorios

3 Apriete el portabrocas



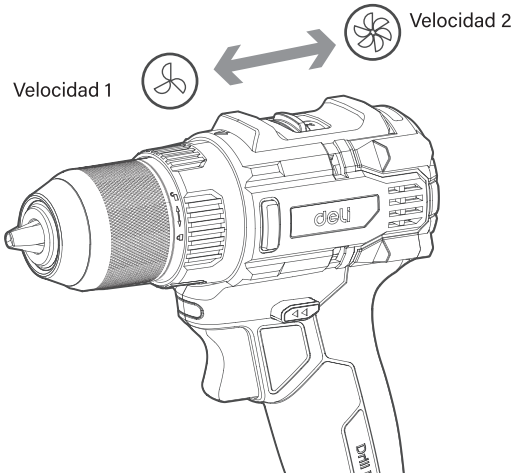
3 Interruptor de avance y retroceso

! ¡Advertencia! 1. Compruebe la dirección de rotación de la herramienta antes de utilizarla; 2. La palanca de dirección solo se puede usar cuando se suelte y se gire completamente el interruptor. El cambio de dirección de rotación durante el funcionamiento de la herramienta puede dañarla; 3. Cuando no se utilice la herramienta, ponga siempre la palanca de dirección en la posición neutral. Cuando la palanca de dirección está en la posición neutral, el interruptor no se puede pulsar.

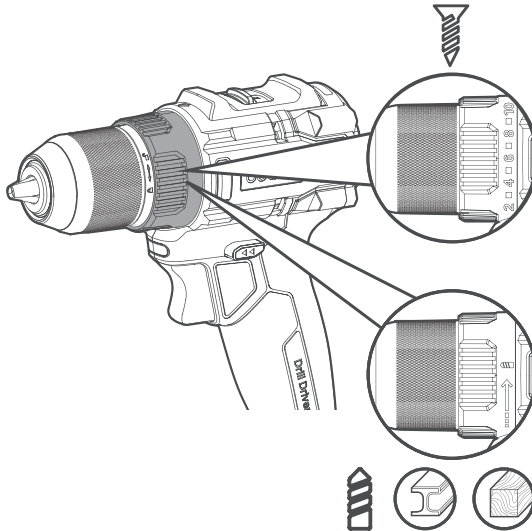


4 Cambio de velocidad

Asegúrese de ajustar el botón de cambio de velocidad mecánico en la posición correcta. El taladro eléctrico puede dañarse si se enciende cuando el botón de cambio de velocidad mecánico están en el medio entre la velocidad «1» y «2».



5 Ajuste de par de apriete



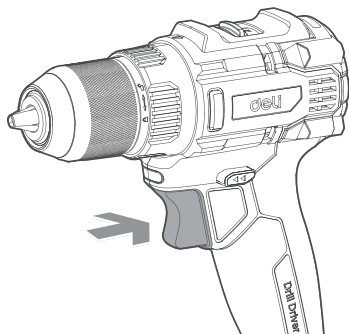
6 Encendido/Apagado



¡Advertencia! No utilice el interruptor de encendido/apagado para operar a baja velocidad durante mucho tiempo, de lo contrario, el interior de la máquina puede sobrecalentarse y dañar la máquina.



Lleve orejeras protectoras



7 Indicación LED



¡Advertencia! Asegúrese de que la luz LED se encienda al pulsar el interruptor cuando la palanca de dirección está posicionada en el extremo izquierdo o derecho.

Esta herramienta está equipada con un sistema de protección de la batería/herramienta. Este sistema puede cortar automáticamente la fuente de alimentación del motor para prolongar la vida útil de la batería y la herramienta. Si la herramienta o la batería están en las siguientes condiciones durante el funcionamiento, la herramienta dejará de funcionar automáticamente. La luz indicadora iluminará en algunos casos.

- Protección contra sobrecarga: La herramienta deja de funcionar automáticamente cuando se utiliza la herramienta/batería de tal manera que cause una corriente anormalmente alta. En este caso, apague la herramienta y detenga la aplicación que causó la sobrecarga en la herramienta. Luego encienda la herramienta para reiniciar.
- Protección contra sobrecalentamiento: La herramienta deja de funcionar automáticamente cuando la herramienta/batería se sobrecalienta. En este caso, espere a que se enfríe antes de volver a encender la herramienta.
- Protección contra sobrecalentamiento: Esta herramienta deja de funcionar automáticamente cuando la energía restante de la batería disminuye. Si este producto no funciona incluso con el interruptor encendido, retire la batería de la herramienta y cárgala.
- Protección por otros motivos: El sistema de protección también es adecuado para otras situaciones que puedan dañar la herramienta, con lo que la herramienta deja de funcionar automáticamente. Cuando la herramienta deja de trabajar de repente o temporalmente, realice los siguientes pasos para eliminar la causa de la anomalía.


1. Apague la herramienta y enciéndala de nuevo.
2. Cargue la batería o reemplácela con una recargable.
3. Espere a que se enfríe la herramienta y la batería.

Resolución de problemas

1. ¿Por qué no se pone marcha la máquina cuando se aprieta el gatillo?

Hay una palanca de dirección en la parte superior del interruptor, y la máquina bloquea el interruptor de encendido/apagado cuando esta palanca está en la posición media. Al mover la palanca a la posición en la que necesita activarse y pulsar el botón, la máquina empezará a girar.

2. ¿Por qué deja de funcionar el taladro de mano antes de que los tornillos estén apretados?

Ajuste el anillo de ajuste de par ente el cuerpo y el portabrocas en este momento. La posición 1 corresponde al par mínimo, mientras la posición 20 corresponde al par máximo. La posición  está pensada para perforar agujeros. Este problema puede resolverse ajustando el anillo de ajuste de par a la velocidad más alta.

3. ¿Por qué varía el tiempo de funcionamiento de la misma batería?

Como arriba, si una batería se deja de utilizar durante mucho tiempo, se reducirá el tiempo de funcionamiento de la misma. Esta situación mejorará después de varias cargas y usos. La energía de la batería también se agota rápido cuando se realizan trabajos pesados, por ejemplo, al atornillar tornillos largos en madera dura. No cargue la batería en ambientes por debajo de 0°C o por encima de 40°C, ya que esto puede afectar su rendimiento.

Mantenimiento



¡Advertencia! Antes de realizar cualquier reemplazo o trabajo de mantenimiento en la máquina, asegúrese de desconectar primero el enchufe.

Antes de realizar cualquier reemplazo o trabajo de mantenimiento en la máquina, asegúrese de retirar primero la batería.

Su herramienta eléctrica no requiere lubricación adicional o mantenimiento. No limpie la herramienta eléctrica con agua o agentes químicos de limpieza, solo límpiela con paño seco. La herramienta debe almacenarse en un ambiente seco manteniendo limpios los respiradores del motor. Trate de no utilizarla en un entorno polvoriento.

Protección medioambiental



Eliminación de basura

En respuesta a la protección medioambiental, las máquinas dañadas, los accesorios y los materiales de embalaje se deben clasificar cuidadosamente para un reciclaje fácil. A fin de facilitar la clasificación y el reciclaje, todas las piezas de plástico están marcadas con materiales.

Tarjeta de garantía del producto

Estimados usuarios:

Gracias por comprar nuestros productos. Con el fin de garantizar su beneficio, los usuarios que compran nuestros productos pueden ponerse en contacto con el distribuidor local o las estaciones de reparación especificadas con factura(s) y tarjeta(s) de garantía si el producto falla debido a problemas de calidad.

Aviso de garantía:

1. De _____ (Año/Mes/Día) a _____ (Año/Mes/Día), Si la falla ocurre durante el uso normal, nuestra compañía ofrecerá garantía gratuita, reemplazo de piezas y otros servicios de acuerdo con la situación de la falla.
2. Esta tarjeta de garantía y la factura de compra son el comprobante del servicio posventa proporcionado por nuestra empresa a los clientes. La tarjeta debe detallarse solo después de completar el siguiente formulario y colocar el sello oficial del distribuidor.
3. En los siguientes casos, el servicio de garantía gratuito no será válido y se exigirán tarifas de mantenimiento:
 - (1) Exceder la fecha de vencimiento.
 - (2) Fallo o daño causado por no seguir los requisitos del manual del producto o un mantenimiento o almacenamiento inadecuados.
 - (3) Fallo o daño causado por el desmontaje, la reparación o la modificación del producto sin el permiso de nuestra empresa.
 - (4) Avería de la máquina o daños causados por fuerza mayor.
 - (5) Accesorios consumibles.

Esta tarjeta se emite con el producto. Una tarjeta por máquina; para garantizar que pueda disfrutar plenamente del derecho al servicio de garantía gratuito proporcionado por la empresa, guarde esta tarjeta debidamente, la pérdida no será reemplazada.

Fecha de compra: _____ (Año/Mes/Día)

Certificado de producto

Inspector:


01

Fecha de fabricación:

NINGBO DELI TOOLS CO., LTD.
No. 128 Chezhan West Road, Huangtan Town,
Ninghai County, Ningbo, Zhejiang, China
delitoolsglobal@nbdeli.com
www.delitoolsglobal.com
+86 574 87562689
MADE IN CHINA



Технические характеристики

Модель	DC120 DC120-X ...	
Номинальное напряжение	20V 	
Максимальный крутящий момент	45N.m	
Частота вращения без нагрузки	0-550/0-1800/min	
Максимальный диаметр зажимаемой оснастки	10mm	
Максимальный диаметр зажимаемой оснастки	Древесина	25mm
	Сталь	10mm
Вес инструмента(только инструмент)	0.94kg	

x=1-999, они используются только для отдельных клиентов, влияние на безопасность отсутствует.

- Производитель оставляет за собой право изменять технические характеристики без предварительного уведомления.
- Технические характеристики могут различаться в зависимости от страны.

⚠ Внимание! Используйте только перечисленные аккумуляторные батареи и зарядные устройства. Использование других аккумуляторных батарей или зарядных устройств может привести к травме и/или пожару.

Рекомендуется выбирать принадлежности в том же магазине, в котором вы приобрели электроинструмент. Выбирайте принадлежности, подходящие для ваших задач. Для справки ознакомьтесь с комплектом принадлежностей.

Аккумуляторная батарея	DL-DC20A2	2.0Ah
	DL-DC20A4	4.0Ah
Зарядное устройство	DL-CD20A2E	2 A, зарядка одного аккумулятора
	DL-CD20D4E	4 A, зарядка двух аккумуляторов
	DL-CD20A8E	8 A, зарядка одного аккумулятора

Обозначения

 Прочтите инструкцию	 Предупреждающие знаки	 Наденьте защитные перчатки	 Не помещать изделие в воду
 Наденьте защитные наушники	 Наденьте защитные очки	 Низкая скорость вращения	 Не помещать изделие в огонь
 Наденьте маску	 Высокая скорость вращения	 Аккумуляторы содержат ионы лития. В целях защиты окружающей среды вышедшие из строя аккумуляторы необходимо сортировать и перерабатывать, а не выбрасывать в мусорное ведро.	
 Древесина	 Режим дрели		
 Металл	 Режим шуруповерта	 Сертификат Таможенного союза	

Оригинальная инструкция

Общие предупреждения по технике безопасности при обращении с электроинструментом

ПРЕДУПРЕЖДЕНИЕ. Ознакомьтесь со всеми предупреждениями по технике безопасности, инструкциями, иллюстрациями и спецификациями, прилагаемые к этому электроинструменту.

Несоблюдение любых из перечисленных ниже инструкций может стать причиной поражения электрическим током, возгорания и/или тяжелых травм.

Сохраните все предупреждения и инструкции для обращения к ним в будущем.

Термин «электроинструмент» в предупреждениях относится к электроинструменту, работающему от сети (проводному), или к электроинструменту, работающему от аккумулятора (беспроводному).

Безопасность рабочей зоны

- 1. Следите за тем, чтобы рабочее место было чистым и хорошо освещенным.**
Загроможденные и плохо освещенное рабочее место может стать причиной несчастных случаев.
- 2. Не используйте электроинструменты во взрывоопасных средах, например в присутствии легковоспламеняющихся жидкостей, газов или пыли.**
Электроинструменты создают искры, которые могут воспламенить пыль или пары.
- 3. Во время работы с электроинструментом не позволяйте детям и посторонним лицам приближаться к рабочей зоне.**
Отвлекающие факторы могут привести к потере контроля над электроинструментом.

Электрическая безопасность

- 1. Вилки электроинструмента должны соответствовать розетке. Ни в коем случае не модифицируйте вилку.**
Запрещено использование переходников для подключения заземленных электроинструментов. Использование немодифицированных вилок и соответствующих им розеток снижает риск поражения электрическим током.
- 2. Не прикасайтесь к заземленным предметам, таким как трубы, отопительные батареи, кухонные плиты и холодильники.**
Это уменьшит риск поражения электрическим током.
- 3. Не допускайте попадания влаги на электроинструмент и не используйте его во влажной среде.** Попадание воды в

электроинструмент повышает риск поражения электрическим током.

- 4. Будьте осторожны с сетевым шнуром.**
Запрещается использовать сетевой шнур для переноски, перемещения или отключения электроинструмента от сети. Держите сетевой шнур вдали от источников тепла, масла, острых краев и движущихся частей. Поврежденный или запутанный сетевой шнур повышает риск поражения электрическим током.
- 5. При работе с электроинструментом на открытом воздухе используйте удлинитель, подходящий для использования вне помещений.**
Использование удлинителя, предназначенного для наружных работ, снижает риск поражения электрическим током.
- 6. При необходимости выполнять работы во влажной среде используйте источник электропитания, оборудованный устройством защитного отключения (УЗО).**
Использование УЗО снижает риск поражения электрическим током.

Личная безопасность

- 1. При работе с электроинструментом будьте внимательны, следите за своими действиями и руководствуйтесь здравым смыслом. Не работайте с электроинструментом, если вы утомлены, находитесь в состоянии алкогольного, наркотического опьянения или под воздействием лекарственных средств.**
Малейшая невнимательность при работе с электроинструментом может привести к серьезной травме.
- 2. Используйте средства индивидуальной защиты. Всегда надевайте средства защиты глаз.**
Средства индивидуальной защиты, такие как респиратор, защитная обувь с нескользящей подошвой, каска, средства защиты органов слуха, помогут вам избежать травм.
- 3. Не допускайте случайного запуска.**
Убедитесь, что выключатель находится в выключенном положении, перед тем как подключаться к источнику питания, брать или переносить электроинструмент. Переноска электроинструмента с пальцем на выключателе или подключение к источнику питания во включенном состоянии может привести к несчастному случаю.
- 4. Перед включением электроинструмента снимите с него регулировочные и гаечные ключи.**
Ключ, оставшийся на вращающейся части электроинструмента, может привести к травме.

5. **Не тянитесь слишком далеко.** Всегда сохраняйте надлежащую опору и равновесие. Это позволяет лучше контролировать электроинструмент в непредвиденных ситуациях.
6. **Одевайтесь правильно.** Не носите свободную одежду и украшения. Держите волосы и одежду подальше от движущихся частей. Свободная одежда, украшения или небрежные волосы могут попасть в движущиеся части.
7. **Если предусмотрены устройства для подключения приспособлений для удаления и сбора пыли, следите за тем, чтобы такие приспособления подключались и использовались надлежащим образом.** Использование пылеулавливающей системы может снизить влияние опасных факторов.
8. **Не допускайте того, чтобы в результате приобретенного опыта работы с электроинструментами вы потеряли бдительность и игнорировали технику безопасности.** Неосторожное действие может привести к серьезной травме в течение доли секунды.

Эксплуатация электроинструмента и уход за ним

1. **Не перегружайте электроинструмент.** Правильно подбирайте электроинструмент для работы. Правильно подобранный электроинструмент лучше и безопаснее выполняет работу на предусмотренных оборотах.
2. **Не используйте электроинструмент, если его невозможно включить и выключить выключателем.** Любой электроинструмент, которым нельзя управлять с помощью выключателя, опасен и подлежит ремонту.
3. **Отсоедините вилку от источника питания и/или извлеките из электроинструмента аккумуляторную батарею, если она съемная, прежде чем выполнять настройку, менять насадки или помещать электроинструмент на хранение.** Такие превентивные меры безопасности снижают риск случайного включения электроинструмента.
4. **Храните неиспользуемые электроинструменты в недоступном для детей месте и не позволяйте лицам, не знакомым с электроинструментом или данными инструкциями, работать с электроинструментом.** Электроинструменты опасны в руках неподготовленных пользователей.
5. **Поддерживайте электроинструменты и насадки в надлежащем рабочем состоянии.** Проверьте движущиеся детали на предмет несоосности или

заедания, выявите сломанные детали и другие условия, которые могут повлиять на работу электроинструмента. В случае повреждения отремонтируйте электроинструмент перед использованием. Многие несчастные случаи вызваны плохим обслуживанием электроинструмента.

6. **Держите режущие инструменты в заточенном и чистом состоянии.** Правильно обслуживаемые режущие инструменты с острыми режущими кромками с меньшей вероятностью заедают, и ими легче управлять.
7. **Используйте электроинструмент, принадлежности, насадки и т. д. в соответствии с настоящей инструкцией, принимая во внимание рабочие условия и выполняемую работу.** Использование электроинструмента для операций, отличных от предусмотренных, может привести к возникновению опасной ситуации.
8. **Держите ручки и поверхности для захвата сухими, чистыми и не допускайте попадания на них смазки.** Скользкие ручки и поверхности для захвата не позволяют безопасно обращаться с инструментом и контролировать его в непредвиденных ситуациях.

Эксплуатация аккумуляторных инструментов и уход за ними

1. **Используйте только зарядное устройство, указанное производителем.** Зарядное устройство, подходящее для одного типа аккумуляторов, может стать причиной возгорания при использовании его с аккумуляторами другого типа.
2. **Используйте электроинструменты только с предназначенными для них аккумуляторами.** Использование любых других аккумуляторов может привести к возникновению пожара и травмам.
3. **Когда аккумулятор не используется, держите его вдали от других металлических предметов, таких как скрепки, монеты, ключи, гвозди, винты или другие мелкие металлические предметы, которые могут соединить одну клемму с другой.** Короткое замыкание на клеммах аккумулятора может привести к ожогам или пожару.
4. **При небрежном обращении из аккумулятора может вытекать содержащаяся в нем жидкость; избегайте контакта с этой жидкостью.** При случайном контакте промойте место контакта водой. При попадании жидкости в глаза обязательно обратитесь за медицинской помощью. Жидкость, вытекающая из аккумулятора, может вызвать раздражение или ожоги.

5. **Не используйте поврежденные или модифицированные аккумуляторы или инструменты.** Поврежденные или модифицированные аккумуляторы неустойчивы в работе, что может привести к возгоранию, взрыву или травмам.
6. **Аккумулятор и инструменты не должны подвергаться воздействию огня или чрезмерной температуры.** Воздействие огня или температуры выше 130 °C может привести к взрыву.
7. **Следуйте всем инструкциям по зарядке и не заряжайте аккумулятор или инструмент, если окружающая температура находится за пределами разрешенного диапазона.** Неправильная зарядка или зарядка при температурах, выходящих за пределы указанного диапазона, может привести к повреждению аккумулятора и значительно повышает риск возгорания.

Обслуживание

1. **Доверяйте обслуживание электроинструмента квалифицированному специалисту и используйте только оригинальные запасные части.** Это обеспечит безопасность электроинструмента.
2. **Проводить обслуживание поврежденных аккумуляторов строго запрещено.** Таким обслуживанием должен заниматься только производитель или его уполномоченный представитель.

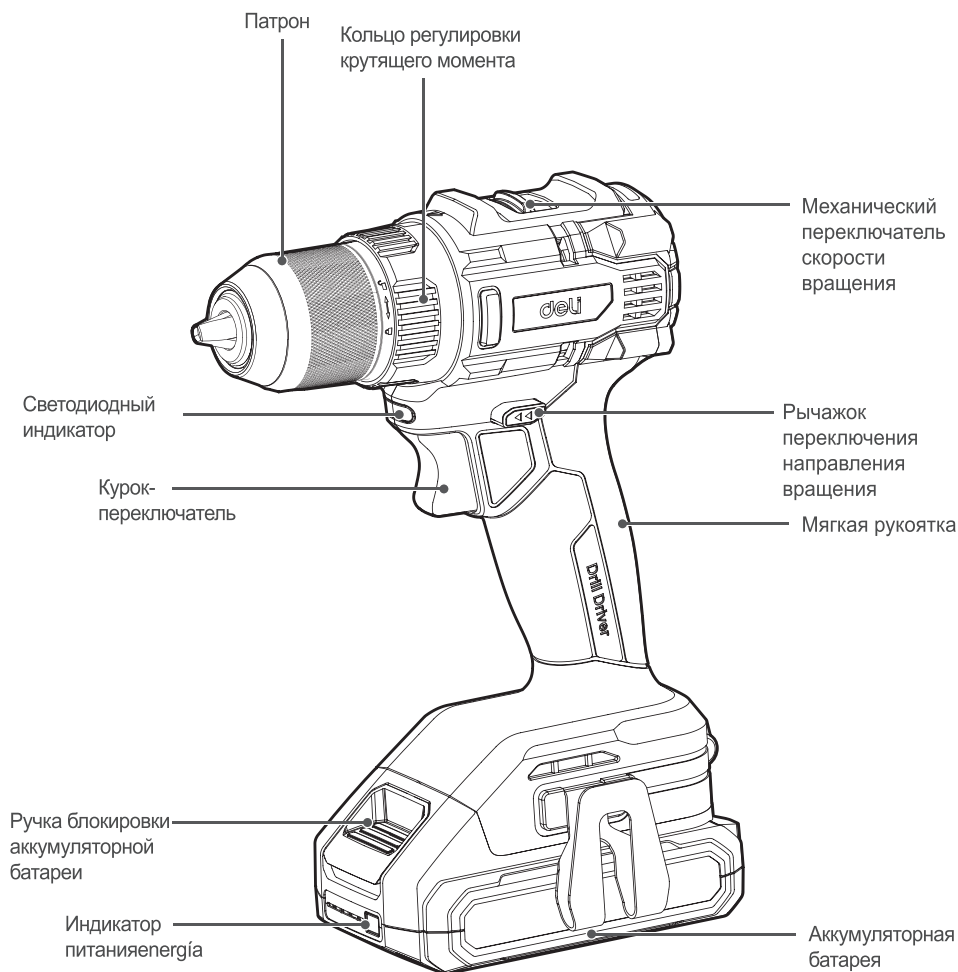
Дополнительные инструкции по технике безопасности для электродрели

Инструкции по технике безопасности для всех видов работ

1. **Используйте средства защиты органов слуха.** Воздействие шума может привести к потере слуха.
2. **Правильно закрепите инструмент перед началом использования.** Данный инструмент создает высокий крутящий момент. Если инструмент не закрепить надлежащим образом, может произойти потеря контроля, что приведет к получению травм.
3. **В случаях, когда возможен контакт режущего инструмента со скрытой электрической проводкой или собственным шнуром питания, держите электроинструмент за изолированную поверхность захвата.** Контакт режущей части с проводами под напряжением может привести к тому, что открытые части электроинструмента окажутся под напряжением, что способно стать причиной поражения электрическим током.

Инструкции по технике безопасности при использовании удлиненных сверл

1. **Использовать удлиненные сверла, если скорость сверления превышает максимально допустимую, строго запрещено.** На более высокой скорости свободно вращающееся без контакта с заготовкой сверло может погнуться, приводя к получению травм.
2. **Всегда начинайте сверление на малой скорости, когда наконечник сверла соприкасается с заготовкой.** На более высокой скорости свободно вращающееся без контакта с заготовкой сверло может погнуться, приводя к получению травм.
3. **Прилагайте усилие строго в направлении сверла и избегайте избыточного давления.** Сверла могут погнуться, что вызовет их разлом и потерю контроля, приводя к получению травм.



Инструкции по эксплуатации

Примечание. Ознакомьтесь с руководством перед началом эксплуатации.

1 Установка/снятие аккумуляторной батареи

При установке или снятии аккумуляторной батареи убедитесь, что инструмент выключен. Сначала нажмите кнопку над аккумулятором, а затем извлеките его из инструмента; Для установки аккумуляторной батареи совместите выступ на ней с канавкой на корпусе инструмента, после чего задвиньте ее на место. Задвигайте ее, пока она не зафиксируется и не защелкнется. При неправильной установке возможно отсоединение аккумуляторной батареи от инструмента и нанесение травмы.

2 Вставка/извлечение сверла



Внимание! Перед заменой принадлежностей обязательно выключите питание и извлеките аккумулятор; Вставьте сверло как можно глубже и убедитесь, что оно зажато. Перед запуском инструмента проверьте состояние патрона, поскольку его повреждение или ослабление может привести к травме.



При снятии принадлежностей надевайте защитные перчатки

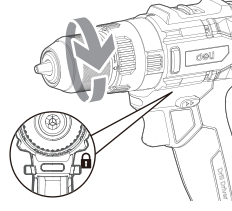
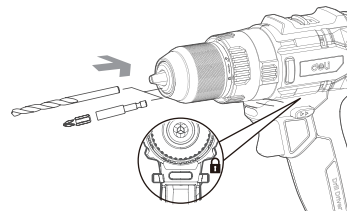
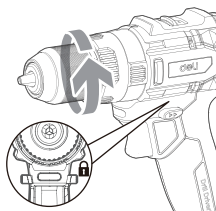


При установке принадлежностей надевайте защитные перчатки

1 Ослабьте патрон

2 Вставьте принадлежности

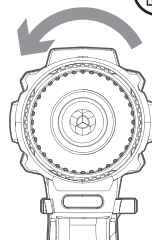
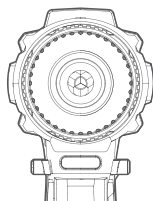
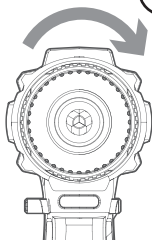
3 Затяните патрон



3 Переключение направления вращения

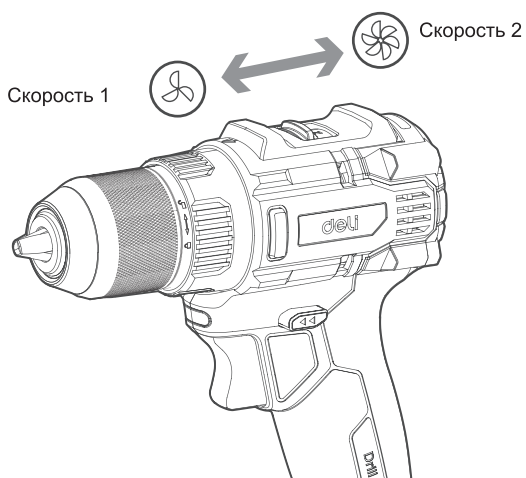


Внимание! 1. Перед началом работы проверьте направление вращения инструмента. 2. Чтобы использовать регулятор переключения направления вращения, необходимо полностью разблокировать и повернуть выключатель. Переключение направления вращения во время работы инструмента может привести к его поломке; 3. Когда инструмент не используется, всегда устанавливайте рычажок переключения направления вращения в нейтральное положение. Когда рычажок переключения направления вращения находится в нейтральном положении, курок-переключатель не нажимается.

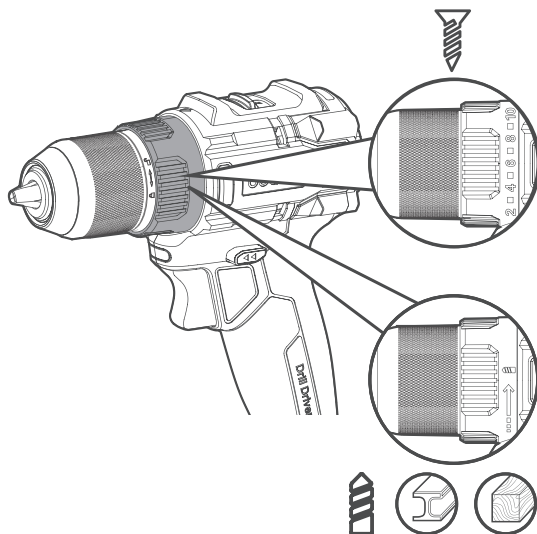


4 Переключение скорости

Обязательно полностью установите механический переключатель скорости вращения в правильное положение. Дрель-шуруповерт может быть повреждена, если при ее включении механический переключатель скорости вращения находится между цифрами «1» и «2».



5 Регулировка крутящего момента



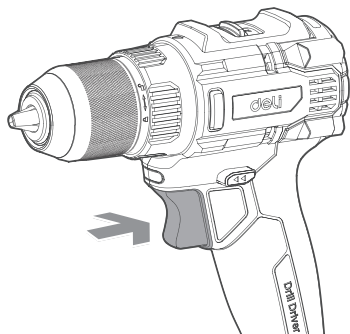
6 Включение/выключение



Внимание! Не используйте курок-переключатель для работы на низкой скорости в течение длительного времени, в противном случае возможен перегрев внутренних деталей инструмента и его повреждение.



Наденьте защитные наушники



7 Светодиодная индикация



Внимание! Убедитесь, что светодиодный индикатор включается при нажатии курка, когда рычажок переключения направления вращения находится в крайнем левом или правом положении.

Данный инструмент оснащен системой защиты инструмента/аккумулятора. Эта система может автоматически отключать питание электродвигателя для продления срока службы инструмента и аккумулятора. Если инструмент или аккумулятор находятся в следующих условиях, происходит автоматическое отключение. В некоторых случаях загорается индикатор.


- Защита от перегрузки: если при работе инструмента/аккумулятора возникает аномально высокий ток, произойдет автоматическое отключение. В этом случае выключите инструмент и прекратите работу, вызвавшую перегрузку. После этого включите инструмент для перезапуска.
- Защита от перегрева: при перегреве инструмента/аккумулятора произойдет автоматическое отключение. В этом случае перед повторным включением подождите, пока инструмент остынет.
- Защита от переразряда: данный инструмент автоматически отключается при снижении заряда батареи ниже минимального уровня. Если изделие не работает даже при нажатом курке-переключателе, извлеките аккумулятор и зарядите его.
- Срабатывание защиты по другим причинам: система защиты также срабатывает в других ситуациях, которые могут привести к повреждению инструмента, автоматически останавливая работу инструмента. Если инструмент временно или внезапно перестал работать, выполните следующие действия, чтобы устранить причину остановки.
 1. Выключите инструмент и снова его включите.
 2. Зарядите аккумулятор или замените его на новый.
 3. Подождите, пока инструмент и аккумулятор не остынут.

Устранение неисправностей

1. Инструмент не работает при нажатии курка-переключателя

Инструмент блокирует курок-переключатель, когда рычажок переключения направления вращения, расположенный над ним, находится в среднем положении. Установите рычажок в соответствующее положение, после чего нажмите кнопку, и патрон инструмента начнет вращаться.

2. Аккумуляторная дрель останавливается и не затягивает винты полностью

Установите соответствующий крутящий момент с помощью кольца регулировки крутящего момента, которое находится между корпусом и патроном. Положение 1 соответствует минимальному крутящему моменту, а положение 20 — максимальному. Режим  предназначен для сверления отверстий. Данную проблему можно решить, установив более высокий крутящий момент с помощью кольца регулировки крутящего момента.

3. При использовании одного и того же аккумулятора время работы разное

Если аккумуляторная батарея не используется в течение длительного срока, это приводит к сокращению продолжительности ее работы. Продолжительность работы увеличивается после нескольких зарядок и использований. Кроме того, энергия аккумуляторной батареи также быстро расходуется при выполнении энергоемкой работы, например, при закручивании длинных шурупов в твердую древесину. Не заряжайте аккумуляторную батарею при температуре ниже 0°C или выше 40°C, поскольку это тоже может повлиять на продолжительность ее работы.

Техническое обслуживание



Внимание! Перед выполнением любых работ по замене деталей или техническому обслуживанию инструмента сначала обязательно вытащите вилку из розетки.

Перед выполнением любых работ по замене деталей или техническому обслуживанию инструмента сначала обязательно вытащите аккумулятор.

Данный электроинструмент не требует дополнительной смазки или обслуживания. Не очищайте электроинструмент водой или химическими чистящими средствами, просто протирайте его сухой тканью. Инструмент необходимо хранить в сухом месте, а вентиляционные отверстия двигателя следует содержать в чистоте. Старайтесь не использовать его в пыльной среде.

Защита окружающей среды



Утилизация отходов

В целях защиты окружающей среды, поврежденные инструменты, принадлежности и упаковочные материалы должны быть тщательно отсортированы для упрощения их переработки. Для облегчения сортировки и переработки, все пластмассовые детали имеют маркировку с указанием материала, из которого они изготовлены.

Гарантийный талон продукта

Уважаемые пользователи!

Благодарим вас за приобретение нашей продукции. Если приобретенное вами изделие вышло из строя из-за проблем с качеством, вы можете обратиться к местному дистрибьютору или в указанные пункты ремонта, приложив счет-фактуру и гарантийные талоны.

Гарантийное уведомление:

1. От _____ (год/месяц/день) до _____ (год/месяц/день), Если выход из строя произошел при обычном использовании, наша компания предоставит бесплатную гарантию, замену деталей и другие услуги в зависимости от характера поломки.
2. Настоящий гарантийный талон и счет-фактура являются ваучером послепродажного обслуживания, предоставляемого нашей компанией клиентам. Вносить данные в талон следует только после заполнения следующей формы и скрепления официальной печатью дистрибьютора.
3. При возникновении одного из следующих случаев бесплатное гарантийное обслуживание является недействительным и взимается плата за ремонт:
 - (1) Истек срок службы изделия.
 - (2) Неисправность или повреждение вызванные несоблюдением требований руководства по эксплуатации изделия, техническому обслуживанию или неправильными условиями хранения.
 - (3) Неисправность или повреждение вызванные разборкой, ремонтом или модификацией изделия без разрешения нашей компании.
 - (4) Поломка или повреждение изделия, вызванные форс-мажорными обстоятельствами.
 - (5) Расходные материалы и принадлежности.

Настоящий талон выдан вместе с изделием. Один талон на одно изделие. Чтобы в полной мере воспользоваться правом на бесплатное гарантийное обслуживание, предоставляемое компанией, необходимо сохранить талон в целостности, утерянный талон замене не подлежит.

Дата покупки: _____ (год/месяц/день)

Сертификат продукции

Контролирующий орган:

01

Дата производства:

NINGBO DELI TOOLS CO., LTD.
No. 128 Chezhan West Road, Huangtan Town,
Ninghai County, Ningbo, Zhejiang, China
delitoolsglobal@nbdeli.com
www.delitoolsglobal.com
+86 574 87562689
MADE IN CHINA



بطاقة ضمان المنتج

المفتش:

01

تاريخ التصنيع:



NINGBO DELI TOOLS CO., LTD.
No. 128 Chezhan West Road, Huangtan Town,
Ninghai County, Ningbo, Zhejiang, China
delitoolsglobal@nbdeli.com
www.delitoolsglobal.com
+86 574 87562689
MADE IN CHINA

بطاقة ضمان المنتج

أعزائي المستخدمين:

شكراً لاختياركم مُنتجنا. لضمان حصولكم على أقصى استفادة ممكنة، يمكن لعملائنا الاتصال بالوكيل المحلي أو بمحطات الصيانة المحددة عند حدوث أي عيوب في المنتج بسبب مشاكل في الجودة، وذلك باستخدام فاتورة الشراء وبطاقة الضمان.

إشعار الضمان:

1. من _____ (اليوم/ الشهر/ السنة) إلى _____ (اليوم/ الشهر/ السنة)، بالضمان رضاكم، ستقدم شركتنا ضماناً مجانياً واستبدال القطع وأعمال الصيانة الأخرى عند حدوث أي عطل أثناء الاستخدام العادي، وذلك بما يتناسب مع طبيعة العطل المحدد.
2. تعد بطاقة الضمان هذه وفاتورة الشراء إثباتاً لخدمة ما بعد البيع التي تقدمها شركتنا للعملاء. يمكن تقديم طلب الحصول على بطاقة الضمان من خلال ملء النموذج التالي ووضع الختم الرسمي من قبل الموزع.
3. لن يتم تقديم خدمات الصيانة مجاناً ويتوجب دفع رسومها كاملة في حالة وجود إحدى الحالات التالية:
 - (1) تجاوز تاريخ الانتهاء؛
 - (2) عطل أو تلف المنتج نتيجة عدم اتباع متطلبات دليل المنتج أو الصيانة أو التخزين الصحيح؛
 - (3) العطل أو التلف الناتج عن تفكيك أو إصلاح أو تعديل المنتج بدون إذن من شركتنا؛
 - (4) العطل أو التلف الناتج عن القوة القاهرة؛
 - (5) الملحقات الاستهلاكية.

يتم إصدار هذه البطاقة مع المنتج. يرجى الاحتفاظ بطاقة ضمان المنتج بشكل صحيح، حيث تضمن هذه البطاقة حق الاستفادة من الخدمة المجانية للضمان التي تقدمها الشركة، علماً بأنه لا يمكن استبدالها في حالة الفقد.

تاريخ الشراء: _____ (اليوم/ الشهر/ السنة)

1. لماذا لا تعمل الآلة عند الضغط على مشغل التبديل ؟
يوجد رافعة توجيه في الجزء العلوي من المفتاح، وسيقوم الجهاز بفعل مفتاح البداية/التوقف عندما تكون هذه الرافعة في الموضع الأوسط. انقل الرافعة إلى الموضع الذي تحتاج إلى قلبه، ثم اضغط على الزر، وسيبدأ الجهاز في الدوران.
2. لماذا يتوقف حفر اليد عن الجري قبل شد البراغي ؟
يرجى ضبط حلقة ضبط عزم الدوران بين الجسم ومفتاح الربط في هذا الوقت. الموضع 1 يقابل الحد الأدنى لعزم الدوران، في حين أن الموضع 20 يقابل الحد الأقصى لعزم الدوران. الموضعتن تصميمه لحفر الثقوب. يمكن حل هذه المشكلة بعد ضبط حلقة ضبط عزم الدوران إلى ترس أعلى.
3. لماذا يختلف وقت عمل نفس حزمة البطارية؟
كما هو الحال أعلاه، إذا تُركت حزمة البطارية غير مستخدمة لفترة طويلة جدًا، فسوف تقصر وقت عملها. سيتم تحسين هذا الوضع بعد عدة رسوم واستخدامات. سيتم أيضًا استهلاك طاقة حزمة البطارية بسرعة عند القيام بأعمال شاقة. سيتم أيضًا استهلاك طاقة حزمة البطارية بسرعة عند القيام بأعمال شاقة، على سبيل المثال، دفع المسمار الكبير إلى الخشب الصلب. لا تشحن حزمة البطارية في بيئات أقل من 0

الصيانة

⚠ تحذير! تأكد أولاً من سحب المقبس من مأخذ التيار الكهربائي قبل إجراء أي أعمال استبدال أو صيانة على الماكينة.

تأكد أولاً من سحب المقبس من مأخذ التيار الكهربائي قبل إجراء أي أعمال استبدال أو صيانة على الماكينة. لا تتطلب أداة الطاقة الخاصة بك أي تشحيم أو صيانة إضافية. لا تنظف أدواتك الكهربائية باستخدام الماء أو عوامل التنظيف الكيميائية، فقط امسحها بقطعة قماش جافة. يجب تخزين الأدوات في بيئة جافة وتنظيفها عند فتحات التهوية. بالإضافة إلى ذلك، حاول عدم استخدام الماكينة في بيئة متربة.

حماية البيئة

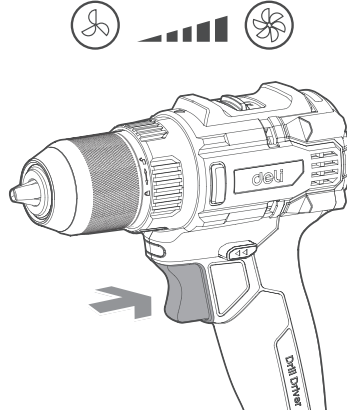
التخلص من النفايات

يجب تصنيف الآلات التالفة والملحقات ومواد التغليف بعناية لتسهيل عملية إعادة تدويرها للحفاظ على البيئة. لتسهيل عملية الفرز وإعادة التدوير، يتم وضع علامات على جميع الأجزاء البلاستيكية للإشارة إلى نوع المواد المستخدمة فيها.



⚠ تحذير! لا تستخدم مفتاح التشغيل/التوقف للعمل بسرعة منخفضة لفترة طويلة، وإلا فقد يسخن الجزء الداخلي من الجهاز ويسبب تلف الأداة.

يرجى ارتداء أغطية الأذن الواقية



7 مؤشر ليد

⚠ تحذير! يرجى التأكد من تشغيل ضوء LED عن طريق الضغط على المفتاح عندما تكون رافعة التوجيه في أقصى اليسار أو اليمين.

هذه الأداة مزودة بأداة/نظام حماية البطارية. يمكن لهذا النظام أن يقطع تلقائيًا إمدادات الطاقة للمحرك لإطالة عمر الأداة والبطارية. إذا كانت الأداة أو البطارية في الظروف التالية أثناء التشغيل، فستتوقف الأداة تلقائيًا عن العمل. سيضيء ضوء المؤشر في بعض الحالات.

الحماية من الحمل الزائد: ستتوقف الأداة تلقائيًا عن العمل عند تشغيل الأداة/البطارية بطريقة تسبب تيارًا مرتفعًا بشكل غير طبيعي. في هذه الحالة، يرجى إيقاف تشغيل الأداة وإيقاف التطبيق الذي تسبب في زيادة تحميل الأداة. ثم قم بتشغيل الأداة لإعادة التشغيل.

• الحماية من الحرارة الزائدة: ستتوقف الأداة تلقائيًا عن العمل عندما ترتفع درجة حرارة الأداة/البطارية. في هذه الحالة، يرجى انتظار تبريد الأداة قبل إعادة تشغيل الأداة.

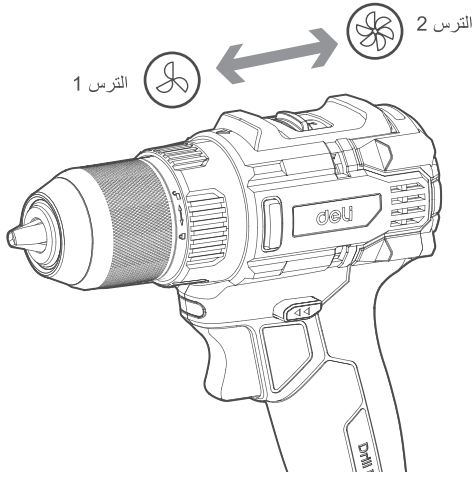
• زيادة حماية التفريغ: ستتوقف هذه الأداة تلقائيًا عن العمل عندما تنخفض طاقة البطارية المتبقية. إذا كان هذا المنتج لا يعمل حتى عند تشغيل المفتاح، فيرجى إزالة البطارية من الأداة وشحنها.

• الحماية لأسباب أخرى: نظام الحماية مناسب أيضًا للحالات الأخرى التي قد تسبب ضررًا للأداة، وبالتالي توقف الأداة تلقائيًا عن التشغيل. عندما تتوقف الأداة مؤقتًا أو في منتصف الطريق عن العمل، قم بتنفيذ جميع الخطوات التالية للقضاء على سبب الشذوذ.

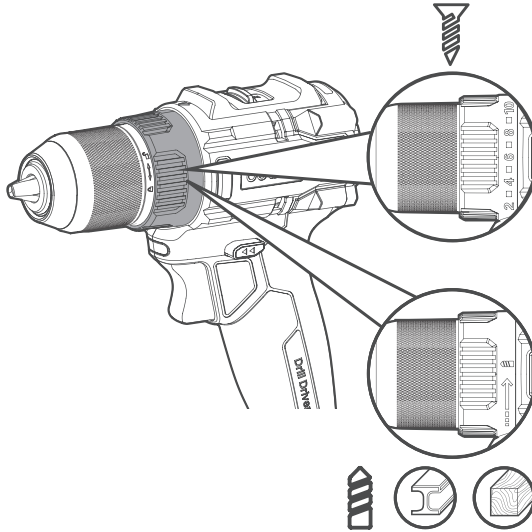
1. قم بإيقاف تشغيل الأداة وإعادة تشغيلها مرة أخرى.
2. شحن البطارية أو استبدالها ببطارية قابلة لإعادة الشحن.
3. يرجى انتظار تبريد الأدوات والبطارية.

4 تحول السرعة

تأكد من ضبط زر تغيير السرعة الميكانيكي بالكامل على الموضع الصحيح. قد يتضرر مثقاب الطاقة إذا تم تشغيله عندما يكون زر تغيير السرعة الميكانيكي في منتصف الترس «1» و «2».



5 تعديل عزم الدوران



ملاحظة: اقرأ دليل التعليمات قبل التشغيل.

1 قم بتثبيت/إزالة حزمة البطارية

عند تثبيت حزمة البطارية أو إزالتها، يرجى التأكد من أن الجهاز في حالة إغلاق؛
عند إزالة حزمة البطارية، اضغط على الزر فوق حزمة البطارية أثناء سحبها من الأداة؛
عند تثبيت حزمة البطارية، قم بمحاذاة القطب الموجود على حزمة البطارية مع الأخدود الموجود على سكن الماكينة، ثم قم بتزليقه في مكانه. أدخله بالكامل في مكانه حتى يتم قفل حزمة البطارية والنقر عليه. إذا لم يتم تثبيتها بشكل صحيح، فقد يتسبب ذلك في انفصال حزمة البطارية عن الأداة والتسبب في إصابة شخصية.

2 احذف/أدخل لقمة الحفر

⚠ تحذير! قبل استبدال الملحقات، تأكد من إيقاف تشغيل مفتاح الطاقة وإزالة حزمة البطارية؛ حاول وضع لقمة المثقاب في الجزء الداخلي من الطرف والتأكد من تثبيت لقمة المثقاب؛ قبل بدء تشغيل الأداة، تأكد من عدم وجود مخاطر تتعلق بالسلامة على مفتاح الربط، فقد يتسبب تلف أو رخاوة مفتاح الربط في إصابة شخصية.

يرجى ارتداء القفازات الواقية عند إدخال القابض



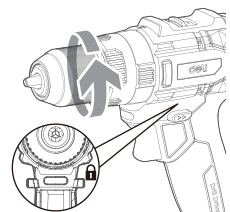
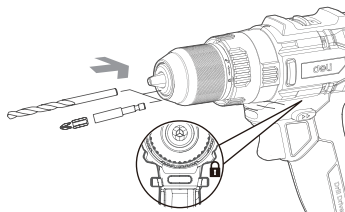
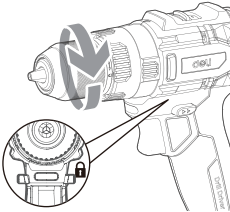
يرجى ارتداء القفازات الواقية عند إزالة القابض



3 أدخل الملحقات

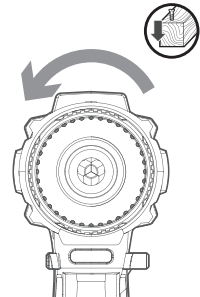
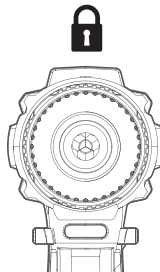
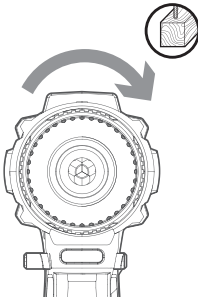
2 أدخل الملحقات

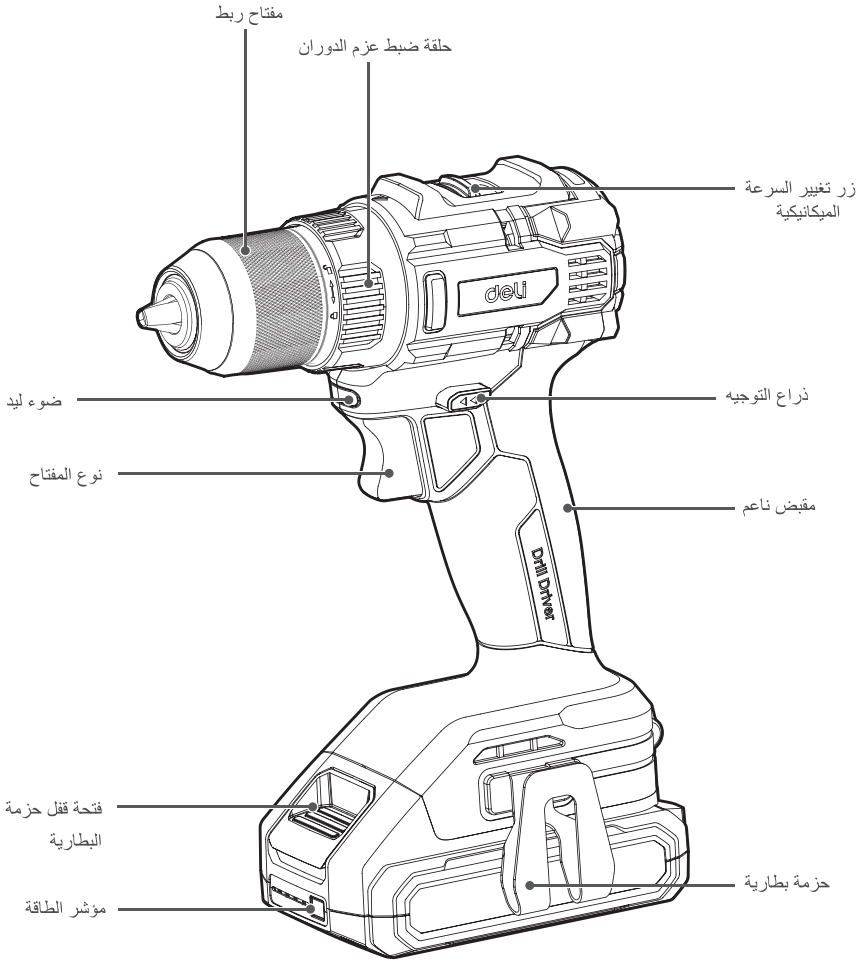
1 فك القامط



3 مقبض تعديل الاتجاه الأمامي والخلفي

⚠ تحذير! 1. يرجى التأكد من اتجاه الدوران للأداة قبل تشغيلها؛ 2. لا يمكن استخدام رافعة التوجيه إلا عندما تتوقف الأداة تماماً عن الدوران. يمكن أن يتسبب في تلف رافعة التوجيه إذا تم تغيير اتجاه الدوران أثناء تشغيل الأداة؛ 3. عندما لا يتم استخدام الأداة، ضع دائماً رافعة التوجيه في الوضع الطبيعي. عندما تكون رافعة التوجيه في الوضع الطبيعي، لا يمكن الضغط على المفتاح.





3. عندما لا تكون حزمة البطارية قيد الاستخدام، ابعدها عن الأشياء المعدنية الأخرى، مثل المشايك الورقية أو العملات المعدنية أو المفاتيح أو الاظافر أو البراغى أو غيرها من الأشياء المعدنية الصغيرة، التي يمكنها الاتصال من محطة إلى أخرى. قد يتسبب تقصير محطات البطارية مغاً في حدوث حروق أو حريق.
4. يجوز إخراج السائل من البطارية في ظروف تصفية؛ تجنب الاتصال إذا حدث الاتصال عن طريق الخطأ، اغسله بالماء إذا لامس السائل العين، فاطلب المساعدة الطبية أيضاً قد. يسبب السائل القادم من البطارية تهيجاً أو حروقاً.
5. لا تستخدم حزمة بطارية أو أداة تالفة أو معقدة. قد تظهر البطاريات التالفة أو المعقدة سلوكاً لا يمكن التنبؤ به مما يؤدي إلى حريق أو انفجار أو خطر الإصابة.
6. لا تعرض حزمة بطارية أو أداة للحريق أو درجة حرارة مفرطة. قد يتسبب التعرض للحريق أو درجة الحرارة التي تزيد عن 130 درجة مئوية في حدوث انفجار.
7. اتبع جميع تعليمات الشحن ولا تشحن حزمة البطارية أو الأداة خارج نطاق درجة الحرارة المحدد في التعليمات. قد يؤدي الشحن بشكل غير صحيح أو في درجات حرارة خارج النطاق المحدد إلى إتلاف البطارية وزيادة خطر نشوب حريق.

الخدمة

1. لا تقم بصيانة الأداة الكهربائية التي لديك إلا بواسطة فني إصلاح مؤهل لاستخدام قطع غيار متطابقة. وذلك للحفاظ على سلامة الأداة الكهربائية.
2. لا تقدم أبداً حزم البطاريات التالفة. يجب أن يتم توفير خدمة عيوات البطاريات من قبل الشركة المصنعة أو مزودي الخدمة المعتمدين فقط.

تعليمات السلامة الإضافية للاستخدام الآمن للمثقاب

تعليمات السلامة لجميع أعمال التشغيل

1. ارتداء واقبات الأذن. قد يتسبب التعرض للضواء في فقدان السمع.
2. أحكم ربط الجهاز كما ينبغي قبل استخدامه. يُولد هذا الجهاز عزم دوران عالٍ، لذا عند عدم إحكام ربطه كما ينبغي أثناء التشغيل فإنه يتسبب في فقدان السيطرة مما ينتج عن وقوع إصابات شخصية.
3. امسك الأداة الكهربائية بمقابض ذات أسطح عازلة فقط عند التشغيل، حيث توجد إمكانات مساس ملحق القطع بالأسلاك المخفية أو السلك المتصل بها. قد يؤدي قطع الملحقات الملامسة للأسلاك "المكهربة" إلى جعل الأجزاء المعدنية المكشوفة من أداة الطاقة "المكهربة" وقد يصيب عامل التشغيل بصدمة كهربائية.

إرشادات السلامة المتبعة عند استخدام لقم الحفر مع المطارق الدوارة

1. لا تعمل أبداً بسرعة أعلى من تصنيف السرعة القصوى لقم المثقاب. عند الحفر على سرعة عالية، تلتوي اللقمة إذا دارت بشكل حر دون ملامستها لسطح العمل وقد ينتج عن ذلك وقوع إصابات شخصية.
2. ابدأ دائماً بالحفر على سرعة منخفضة بحيث يكون طرف اللقمة ملامساً لسطح العمل. عند الحفر على سرعة عالية، تلتوي اللقمة إذا دارت بشكل حر دون ملامستها لسطح العمل وقد ينتج عن ذلك وقوع إصابات شخصية.
3. اضغط قليلاً في خط مباشر باستخدام اللقمة وتجنب الضغط الشديد. قد تلتوي اللقمة مما ينتج عن ذلك كسرها أو فقدان السيطرة على الجهاز مما يؤدي إلى وقوع إصابات شخصية.

تحذيرات السلامة العامة للأداة الكهربائية

تحذير احرص على قراءة جميع تحذيرات السلامة والتعليمات والرسوم التوضيحية والمواصفات المتوفرة مع الأداة الكهربائية. هذه يؤدي عدم اتباع جميع التعليمات المُدرجة أدناه إلى حدوث صدمة كهربائية أو نشوب حريق و/أو التسبب في حدوث إصابة بالغة.

حفظ جميع التحذيرات والتعليمات لاستخدامها كمرجع في المستقبل.

يشير مصطلح "الأداة الكهربائية" في التحذيرات إلى الأدوات التي تعمل بالكهرباء (السلكية) أو التي تعمل بالبطارية (اللاسلكية).

سلامة منطقة العمل

1. حافظ على مساحة العمل نظيفة وجيدة الإضاءة. المناطق الفوضوية أو المظلمة قد تسبب في وقوع الحوادث.
2. لا تقم بتشغيل الأدوات الكهربائية في الأجواء المتفجرة، مثل وجود سوائل قابلة للاشتعال أو غازات أو غبار. ينتج عن الأدوات الكهربائية شرارات قد تسبب في اشتعال الغبار أو الأبخرة.
3. احرص على إبقاء الأطفال والمارة بعيداً أثناء تشغيل الأداة الكهربائية. قد تفقد السيطرة نتيجة التشتت.

السلامة الكهربائية

1. يجب أن تتناسب مقابس الآلة الكهربائية مع المنفذ. ممنوع تماماً تعديل المقابس بأي شكل من الأشكال. لا تستخدم أي مقابس تحويل مع الأداة الكهربائية المورضة. المقابس غير المحولة والمخارج الكهربائية المطابقة تقلل من خطر التعرّض للصعق الكهربائي.
2. تجنب ملامسة جسدك للأسطح المورضة، مثل الأنياب والمشعات والمواقف والمُتَلابِجات. يزيد أذى خطر التعرّض للصعق الكهربائي في حالة تيار ضيق جسدك.
3. لا تعرّض الأداة الكهربائية للمطر أو الظروف الجوية الرطبة. دخول المياه إلى الأداة الكهربائية يزيد من خطر التعرّض للصعق الكهربائي.
4. لا تسع استعمال السلك الكهربائي. ممنوع تماماً حمل الأداة الكهربائية أو سحبها أو فصلها باستخدام السلك. ابعِد السلك عن الحرارة أو الشوم أو الحواف الحادة أو الأجزاء المتحركة. الأسلاك التالفة أو المشابكة تزيد من خطر التعرّض للصعق الكهربائي.
5. يرجى استخدام كابل إطالة مناسب للاستخدام الخارجي، عند تشغيل الآلة الكهربائية في الهواء الطلق. استخدام سلك مناسب للاستخدام في المناطق الخارجية يقلل من خطر التعرّض للصعق الكهربائي.
6. في حال أصبح تشغيل الآلة في مكان رطب أمراً لا مفر منه، استخدم وحدة إمداد كهربائية محمية بالتيار المتبقي (RCD). استخدم قاطع دائرة التيار المتبقي (RCD) يقلل من خطر التعرّض للصعق الكهربائي.

السلامة الشخصية

1. احترس وانتبه لما تقوم به واستخدم الحس السليم عند تشغيلك للأداة الكهربائية. لا تستخدم الأداة الكهربائية إذا كنت مرهقاً أو تحت تأثير العقاقير أو الكحوليات أو الأدوية. قد تؤدي العفلة للحظة واحدة أثناء تشغيل الأدوات الكهربائية إلى تعريض الأشخاص لإصابة خطيرة.
2. استخدم معدات الوقاية الشخصية. احرص دائماً على ارتداء نظارات حماية العين. معدات الوقاية مثل كامسة الغبار أو أذنية السلامة غير القابلة للارتداء أو القبتعة الصلبة أو واقبات السمع مستقل من حدوث الإصابات الشخصية.
3. الحيلولة دون بدء التشغيل غير المقصود. تأكد من أن المفتاح في وضع إيقاف التشغيل قبل توصيل المقابس بمصدر الطاقة و/ أو تركيب وحدة إمداد البطارية، أو عند التقاط أو حمل الأداة. حمل الأدوات الكهربائية وإصبعك على المفتاح أو أدوات الإمداد الكهربائية التي تحتوي على مفتاح قد يتسبب في وقوع حوادث.

4. إزالة أي مفتاح ضبط أو مفتاح ربط قبل تشغيل الأداة الكهربائية. حيث إنه من المتوقع أن يتسبب ترك هذا المفتاح معلقاً بالجزء الدوار بالالة في وقوع إصابات شخصية.
5. لا تقرب بشدة من الجهاز. واحرص على ثبات موطئ القدم والتوازن في جميع الأوقات. فيذلك يمكنك التحكم في الأداة الكهربائية بشكل أفضل في المواقف غير المتوقعة.
6. ارتداء الملابس اللازمة. لا ترتدي ملابس فضفاضة أو مجوهرات. احرص على إبعاد شعرك وملابسك عن الأجزاء المتحركة. يمكن للملابس الفضفاضة أو المجوهرات أو الشعر الطويل أن يعلق في الأجزاء المتحركة.
7. في حال توفير أجهزة لتوصيل مرافق شفط الغبار وتجميعه، فتأكد من توصيلها واستخدامها بشكل صحيح. استخدام أنظمة تجميع الغبار من شأنه الحد من المخاطر المرتبطة بالأتربة.
8. لا تدع المعرفة المكتسبة من الاستخدام المتكرر للأدوات توهي لك بالشعور بالرضا وتجاهل مبادئ سلامة الأداة. الإهمال قد يتسبب في إصابة خطيرة في عضلة عين.

استخدام الأدوات الكهربائية والعناية بها

1. لا تجبر الأداة الكهربائية على القيام بمهام لم تصمم لتنفيذها. استخدم أداة الكهربائية المناسبة للمهمة. استنجز الأداة الكهربائية العمل بشكل أفضل وأكثر أمناً بالمعدل الذي صممت من أجله.
2. لا تستخدم الأداة الكهربائية إذا كان المفتاح لا يقوم بتشغيلها وإيقاف تشغيلها. أي أداة كهربائية لا يمكن التحكم فيها باستخدام المفتاح تعتبر أداة خطيرة ويلزم إصلاحها.
3. أفضل القابض عن مصدر الطاقة و/ أو اخرج حزمة البطارية من الأداة الكهربائية قبل إجراء أي تعديلات أو تغيير للملحقات أو عند تخزين الأدوات الكهربائية. حيث تعمل مثل هذه الإجراءات الوقائية على الحد من خطر التشغيل المفاجئ للآلة.
4. تخزن الأدوات الكهربائية المعطلة بعيداً عن متناول الأطفال مع عدم السماح لأي شخص ليس على دراية بكيفية استخدامها أو بتعليمات تشغيلها. تمثل الأدوات الكهربائية خطورة عندما تقع في أيدي غير المدربين على استعمالها.
5. صيانة الأداة الكهربائية وملحقاتها. تحقق من عدم وجود أي عائق أو تعارض بين الأجزاء المتحركة، وعدم وجود أي كسر في القطع وأي حالة أذى قد تؤثر على تشغيل الأدوات الكهربائية. في حال تعرض الأداة الكهربائية للتلف، يجب إصلاحها قبل الاستخدام. حيث يمكن أن تتسبب الأدوات الكهربائية التي لم يتم صيانتها جيداً في وقوع كثير من الحوادث.
6. الحفاظ على أدوات القطع حادة ونظيفة. أدوات القطع ذات الحواف الحادة التي يتم صيانتها بشكل صحيح تكون أقل عرضة للتلف وأسهل في التحكم بها.
7. استخدم الأداة الكهربائية والملحقات والريش وما إلى ذلك وفقاً لهذه التعليمات، مع مراعاة ظروف العمل والأعمال التي يتعين القيام بها. استخدام الأداة الكهربائية في تنفيذ مهام مختلفة عما صممت من أجله قد يتسبب عنه أوضاع خطيرة.
8. الحفاظ على المقابض وأسطح الإمساك جافة ونظيفة وخالية من الزيوت والشحوم. لا يُسمح باستخدام المقابض الزلقة وأسطح الإمساك من أجل التعامل الآمن مع الأداة والتحكم فيها في المواقف غير المتوقعة.

استخدام الأدوات الكهربائية والعناية بها

1. إعادة الشحن فقط بالشاحن المحدث من قبل الشركة المصنعة. قد يؤدي استخدام الشاحن المناسب لنوع واحد من حزمة البطارية إلى خطر نشوب حريق عند استخدامه مع حزمة بطارية أخرى.
2. استخدم أدوات الطاقة فقط مع حزم بطاريات محددة على وجه التحديد. قد يؤدي استخدام أي عبوات بطارية أخرى إلى خطر الإصابة والحريق.

DCI20 DCI20X ...	الطرز
20 فولت	القيمة المُقدَّرة للجهد الكهربى
45 نانو متر	السعة القصوى لقامط لقمة/ بنطة المتقاب
0-450/0-1800 دقيقة	السرعة دون تحميل
10ملم	السعة القصوى لقامط لقمة/ بنطة المتقاب
25 ملم	المنتجات الخشبية
10ملم	السعة القصوى لقامط لقمة/ بنطة المتقاب
0.94 كجم	أداة لاسلكية(وزن الماكينة)

1-999-x، تستخدم فقط لعملاء مختلفين، كما لا توجد تغييرات أمانة ذات صلة بين تلك الموديلات.




- تحتفظ الجهة المُصنعة بالحق في تغيير المواصفات دون إشعار مُسبق.
- قد تختلف هذه المواصفات من بلد إلى آخر.

تحذير! يرجى استخدام حزم البطاريات وأجهزة الشحن المدرجة فقط. قد يؤدي استخدام أي عبوات بطارية أخرى إلى خطر الإصابة بالحرق.

نصح باختيار الملحقات من مكان الشراء الأصلي للأداة الكهربائية. يُرجى اختيار الملحقات الصحيحة التي تحتاجها لإنجاز عملك. يُرجى الاطلاع على حزمة الملحقات لتحقيق الاستخدام الأفضل للجهاز والمساعدة.

2.0 أمبير في الساعة	DL-DC20A2	حزمة بطارية
4.0 أمبير في الساعة	DL-DC20A4	
2A شحنة واحدة	DL-CD20A2E	شاحن
4A شحنة مزدوجة	DL-CD20D4E	
8A شحنة واحدة	DL-CD20A8E	

الرموز

 لا تضع هذه الأداة الكهربائية في الماء	 يرجى ارتداء القفازات الواقية	 علامة التحذير	 اقرأ دليل التعليمات
 لا تضع هذه الأداة الكهربائية في النار	 سرعة منخفضة	 يرجى ارتداء النظارات الواقية	 يرجى ارتداء أغطية الأذن الواقية
تحتوي البطاريات على أيون الليثيوم. لحماية البيئة، يجب فرز البطاريات المهملة وإعادة تدويرها، ولا ينبغي إلحاقها في سلة المهملات.		 سرعة عالية	 يرجى ارتداء أغطية الوقاية
شهادة الاتحاد الجمركى 		 فتحة الثقب	 فتحة الثقب
		 مفك البراغي	 مفك البراغي

