

deli

User Manual

JIG SAW DL-XJ80-E1



General Power Tool Safety Warnings

⚠ WARNING:

Read all safety warnings and all instructions. Failure to follow the warnings and instructions may result in electric shock, fire and/or serious injury. **Save all warnings and instructions for future reference.** The term "power tool" in the warnings refers to your mains-operated (corded) power tool or battery-operated (cordless) power tool.

1 Work area safety

- a Keep work area clean and well lit.** Cluttered or dark areas invite accidents.
- b Do not operate power tools in explosive atmospheres, such as in the presence of flammable liquids, gases or dust.** Power tools create sparks which may ignite the dust or fumes.
- c Keep children and bystanders away while operating a power tool.** Distractions can cause you to lose control.

2 Electrical safety

- a Power tool plugs must match the outlet. Never modify the plug in any way. Do not use any adapter plugs with earthed (grounded) power tools.** Unmodified plugs and matching outlets will reduce risk of electric shock.
- b Avoid body contact with earthed or grounded surfaces, such as pipes, radiators, ranges and refrigerators.** There is an increased risk of electric shock if your body is earthed or grounded.
- c Do not expose power tools to rain or wet conditions.** Water entering a power tool will increase the risk of electric shock.
- d Do not abuse the cord. Never use the cord for carrying, pulling or unplugging the power tool. Keep cord away from heat, oil, sharp edges or moving parts.** Damaged or entangled cords increase the risk of electric shock.
- e When operating a power tool outdoors, use an extension cord suitable for outdoor use.** Use of a cord suitable for outdoor use reduces the risk of electric shock.
- f If operating a power tool in a damp location is unavoidable, use a residual current device (RCD) protected supply.** Use of an RCD reduces the risk of electric shock.

3 Personal safety

- a **Stay alert, watch what you are doing and use common sense when operating a power tool. Do not use a power tool while you are tired or under the influence of drugs, alcohol or medication.** A moment of inattention while operating power tools may result in serious personal injury.
- b **Use personal protective equipment. Always wear eye protection.** Protective equipment such as dust mask, non-skid safety shoes, hard hat, or hearing protection used for appropriate conditions will reduce personal injuries.
- c **Prevent unintentional starting. Ensure the switch is in the off-position before connecting to power source and/or battery pack, picking up or carrying the tool.** Carrying power tools with your finger on the switch or energizing power tools that have the switch on invites accidents.
- d **Remove any adjusting key or wrench before turning the power tool on.** A wrench or a key left attached to a rotating part of the power tool may result in personal injury.
- e **Do not overreach. Keep proper footing and balance at all times.** This enables better control of the power tool in unexpected situations.
- f **Dress properly. Do not wear loose clothing or jewellery. Keep your hair, clothing and gloves away from moving parts.** Loose clothes, jewellery or long hair can be caught in moving parts.
- g **If devices are provided for the connection of dust extraction and collection facilities, ensure these are connected and properly used.** Use of dust collection can reduce dust-related hazards.

4 Power tool use and care

- a **Do not force the power tool. Use the correct power tool for your application.** The correct power tool will do the job better and safer at the rate for which it was designed.
- b **Do not use the power tool if the switch does not turn it on and off.** Any power tool that cannot be controlled with the switch is dangerous and must be repaired.
- c **Disconnect the plug from the power source and/or the battery**

- pack from the power tool before making any adjustments, changing accessories, or storing power tools. Such preventive safety measures reduce the risk of starting the power tool accidentally.
- d **Store idle power tools out of the reach of children and do not allow persons unfamiliar with the power tool or these instructions to operate the power tool.** Power tools are dangerous in the hands of untrained users.
 - e **Maintain power tools.** Check for misalignment or binding of moving parts, breakage of parts and any other condition that may affect the power tools operation. If damaged, have the power tool repaired before use. Many accidents are caused by poorly maintained power tools.
 - f **Keep cutting tools sharp and clean.** Properly maintained cutting tools with sharp cutting edges are less likely to bind and are easier to control.
 - g **Use the power tool, accessories and tool bits etc. in accordance with these instructions, taking into account the working conditions and the work to be performed.** Use of the power tool for operations different from those intended could result in a hazardous situation.

5 Service

- a **Have your power tool serviced by a qualified repair person using only identical replacement parts.** This will ensure that the safety of the power tool is maintained.

SPECIFIC SAFETY RULES

Warning: Failure to follow these safety rules will result in serious personal injury.

1. Hold tool by insulated gripping surfaces when performing an operation where the cutting tools may contact hidden wiring or its own cord. Contact with a "live" wire will make exposed metal parts of the tool "live" and shock the operator.
2. Always use safety glasses or goggles. Ordinary eye or sunglasses are NOT safety glasses.
3. Avoid cutting nails. Inspect work-piece for any nails and remove them before operation.
4. Only use the product in a environmental humidity between 5%

- to 95% and at a temperature between 0°C to 50°C
5. Do not use the saw unless the guards are in place
 6. Don't cut oversize work-piece.
 7. Check for the proper clearance beyond the work-piece before cutting so that the blade will not strike the floor, work-bench, etc.
 8. Hold the tool firmly.
 9. Do not put pressure on the saw, such that it slows the motor down. Allow the saw blade to cut without pressure you will get better results and you will be taking better care of our tool.
 10. Make sure the blade is not contacting the work-piece before the switch; is turned on.
 11. Keep hands ways from moving parts
 12. Do not leave the tool running .operate the tool only when hand-held.
 13. Always switch off and wait for the blade to come to a complete stop before removing the blade from the work-piece.
 14. Keep your hands away from under the work piece.
 15. Do not secure the jigsaw upside down in a vice or work bench and use it as a saw bench. This can lead to serious injury.
 16. Do not touch the blade or the workpiece immediately after operation: they may be extremely hot and could burn your skin.
 17. Some material contains chemicals which may be toxic take caution to prevent dust inhalation and skin contact. Follow material supplier safety data.

Explanation of symbols

SAVE THIS INSTRUCTIONS



Conforms to relevant safety standards



Wear respiratory protection.



Wear eye protection.



Do not dispose of old appliances with domestic rubbish



To reduce the risk of injury, the user must read and understand this manual before using this product.



Wear ear protectors. Exposure to noise can cause hearing loss.

Technical Specification:

Rated voltage/frequency:	230-240V~50Hz
Power input:	600W
No-load speed:	800-3000r/min
Cutting angle range:	0~45°
Max cutting depth in:	Wood:80mm Steel:8mm plastic: 10mm

Functional description

1. The jig saw is designed for cutting the wood, iron, nonferrous metals and plastics, using a standard saw blade.
2. Before using the jig saw, familiarize yourself with all the operating features and safety requirements.(See Fig. 1)



FIG.1

- | | |
|---------------------------|------------------------------|
| 1. Dust extraction outlet | 6. Quick-release blade clamp |
| 2. Speed adjustment dial | 7. Guide roller |
| 3. ON/OFF switch trigger | 8. Orbital switch knob |
| 4. Lock-on button | 9. Base plate |
| 5. Transparent guard | |

ASSEMBLY

Important: Prior to any assembly and adjustment always unplug the tool. **Changing the blade(See Fig. 2)**

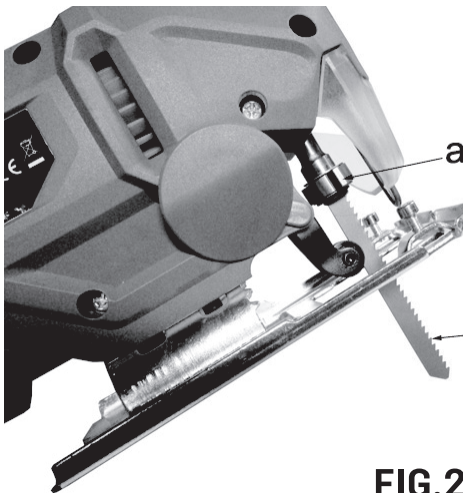


FIG.2

Pull the lever of the blade clamp (a) and slide the saw blade into the locating groove with teeth pointing forward. Make sure that the back edge of the blade fits into the blade clamp, then release the lever of blade clamp. Remove the saw blade in the opposite way.

Switch on and off(See Fig. 3)

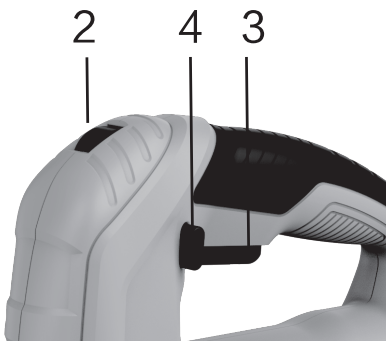


FIG.3

1. Press the ON/OFF switch trigger (3) and start the tool.
2. Release the switch trigger to turn the tool off.
3. If you want the tool to operate continuously, please depress the lock-on button (4).

Variable speed (See Fig. 3)

1. By turning the speed adjustment dial (2) forward or backward, you can get the variable speed.
2. The speed should be adapted to the material being cut in general, higher speeds will allow you to cut work-pieces faster but the service life of the blade will be reduced.
3. Position "1" denotes the lowest speed. Position "6" denotes the highest speed. (See Fig. 3)

Angle cutting adjustment

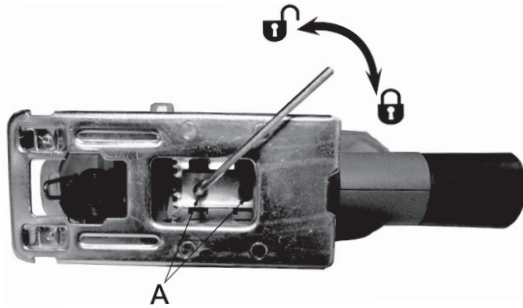


FIG.4

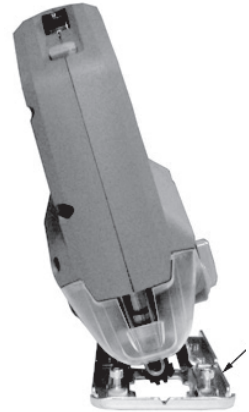


FIG.5

1. The soleplate can be adjusted 45°(left or right) in relation to the saw direction to facilitate contour sawing. Loosen the two clamping screws (A) under the soleplate by the aid of inner hexagon spanner supplied with the tool, adjust the soleplate to the desired angle and retighten the screws (A). (See Fig. 4)
2. Move the base plate forward and tilt it until the desired angle is obtained the angle can be between 0°and 45°(left and right).(See Fig. 5)
3. For accurate cut it is necessary to make a trial cut, measure the work and reset the angle until the correct setting is achieved.

Cutting-Orbital or Straight

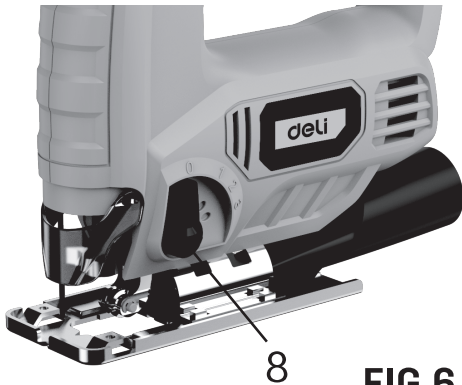


FIG.6

This jig saw is equipped with four cutting actions, one straight and three orbital. Orbital action has a more aggressive blade motion and is designed for cutting in soft materials like wood or plastic. Orbital action provides faster cut, but with a rougher cut across the material. In orbital action, the blade moves forward during the cutting stroke in addition to the up and down motion.

Note: Metal or hardwoods should never be cut in orbital action. To adjust the cutting action, moves the orbital switch knob (8) between the four cutting positions: 0, 1, 2, and 3. Position 0 is the straight cutting. Positions 1, 2 and 3 are orbital cutting. The aggressiveness of the cut increase as the knob is moved from one to three, with three being the most aggressive cut. (See Fig. 6)

OPERATION

Never use a blade unsuitable for the task and item to be cut. Hold the saw in front of you with a firm grip on the handle. Ensure that the saw blade is not touching anything and that the power cable is not in the way when starting the saw. Make sure that the item is clamped tight, and that the saw line is clearly marked.

Connect the vacuum extractor nozzle to an extractor system where possible.

Start the saw. Place the soleplate on the item, and let the saw blade touch the saw line.

Saw, but do not place more pressure on the blade than is necessary. Avoid lateral pressure on the blade.

Special notes on jig sawing

Place the soleplate on the item so the saw blade is vertical and correctly positioned in relation to the saw line without touching it.

Start the saw and tilt it carefully while supporting it using the soleplate until the blade touches the item at the saw line.

Let the blade work through the item, continuing to tip the saw downwards until the sole is flush to the item and the blade is perpendicular to it. If necessary, drill a hole of suitable diameter in the item for use as starting point.

Sawing wood

Check that the item does not contain nails or other metal objects. Always wear a mask.

Sawing metal

We recommend lubricating the material and saw blade with cutting oil to protect the tool and avoid overheating. Support the item with wooden blocks on either side.

Sawing plastic

Make a test cut first to check if the material can tolerate the heat generated by sawing.

Important!

Check all screws on the saw regularly, particularly those that hold the blade. Tighten if required. Check regularly that the carbon brushes are in a good condition. If the carbon brushes are worn, they should be replaced.

Lubrication (Fig. 1)

Regularly apply a drop of oil to lubricate the guide roller.

Maintenance

Caution: always be sure that the tool is switched off and unplugged before attempting to perform inspection for maintenance.

In order to maintain product reliability and safety, repairs, replacement, any other maintenance or adjustment, and carbon brush inspection and replacement should be performed by sp-

pecialized work shop.

1. Store the tool, instruction manual and accessories in a secure place. In this way you will always have all the information and parts ready to hand.
2. Keep the tool's air vents unclogged and clean at all times.
3. Remove dust and dirt regularly.
4. Never use caustic agents to clean plastic parts.
5. Lubricate the guide roller from time to time a drop of oil. It will extend the life of the roller.
6. When the carbon brushes wear out the tool will spark and /or stop. The brushes are a wearing component of the tool and should be replaced prior to the carbon wearing out fully. Always replace both brushes at the same time.

CAUTION: the carbon brushes must be replaced by a pair similar carbon brush available through the after-sales service organization or qualified professional person.

CAUTION: Always disconnect the machine from the power supply before removing any electrical covers.

CAUTION: Do not use cleaning agents to clean the plastic parts of the tool. A mild detergent on a damp cloth is recommended. Water must never come into contact with the tool.



ecycling

Meaning of crossed –out wheeled dustbin:

Do not dispose of electrical appliances as unsorted municipal waste, use separate collection facilities. Contact you local government for information regarding the collection systems available. If electrical appliances are disposed of in landfills or dumps, hazardous substances can leak into the groundwater and get into the food chain, damaging your health and well-being.

When replacing old appliances with new ones, the retailer is legally obligated to take back your old appliance for disposals at least free of charge.